



## CONTEMPORARY RANGE 140 SYSTEM

Lifestyle™ Awning/Casement/Fixed Lite Window

### Specifier Guide

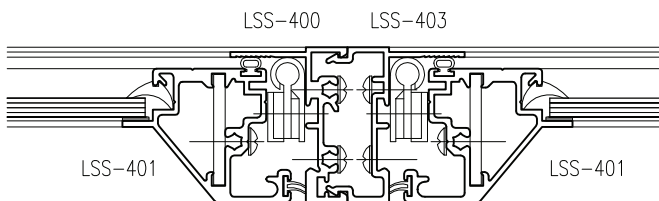
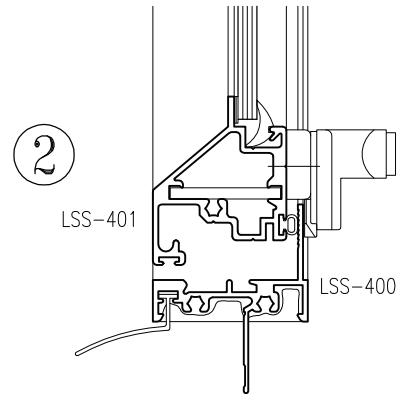
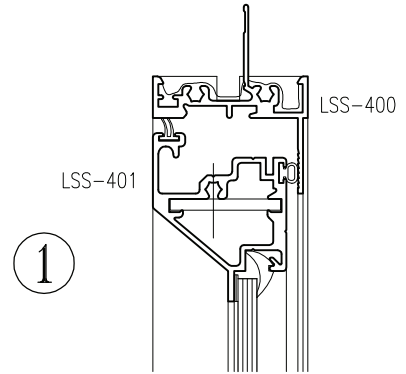
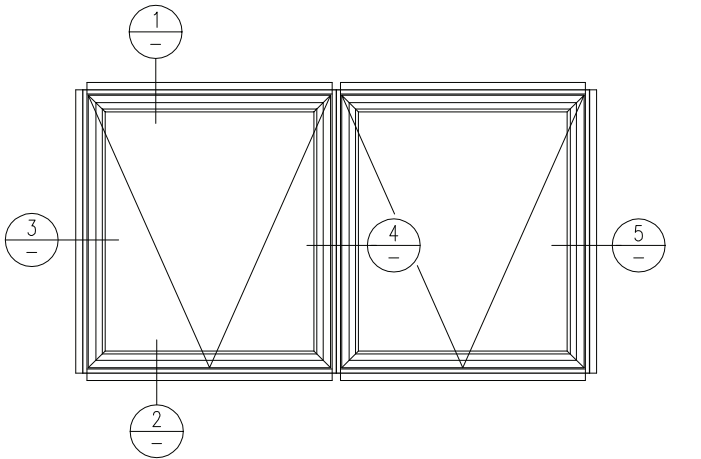
---

The Lidco Specifier's Guide contains technical information, maximum permissible sizes, typical configurations, energy ratings and key design features and benefits.

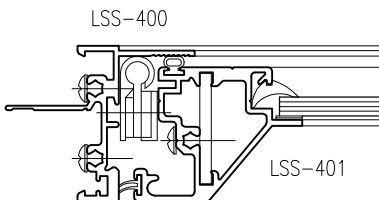


**Typical Configurations**

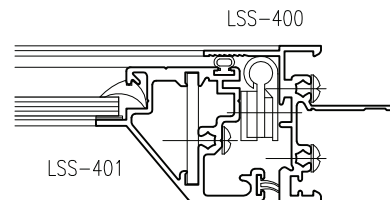
**Awning - Friction Stay Option**



4



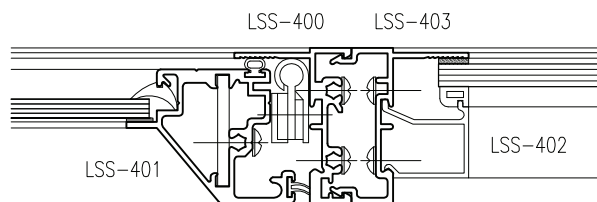
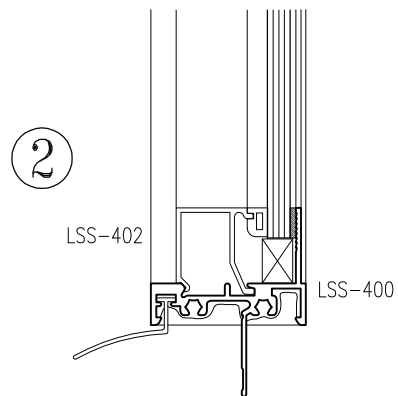
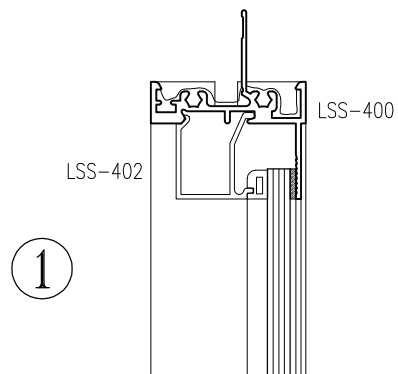
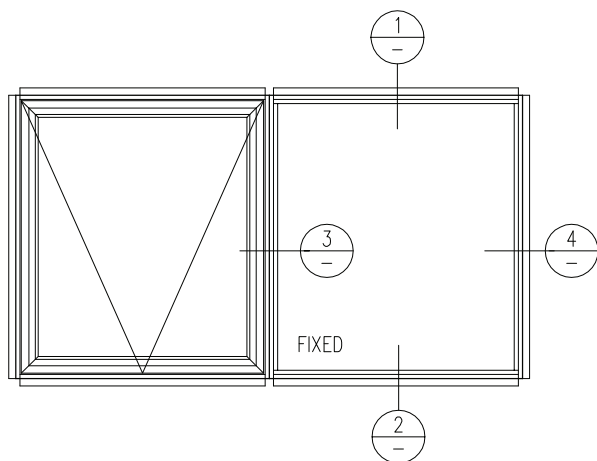
3



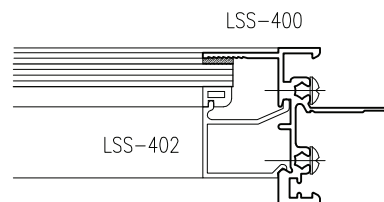
5

Typical Configurations

Awning with Fixed Lite



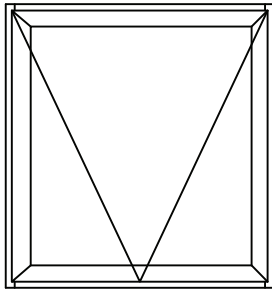
3



4

**Recommended Sizes**

AWNING WINDOW

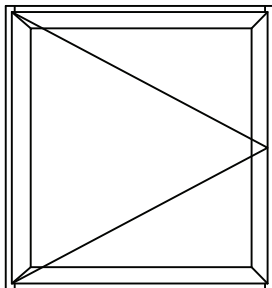
**AWNING WINDOW**

Maximum Design Wind Pressure: 1000Pa

Max Sash Height: 1220mm

Max Sash Width: 900mm

CASEMENT WINDOW

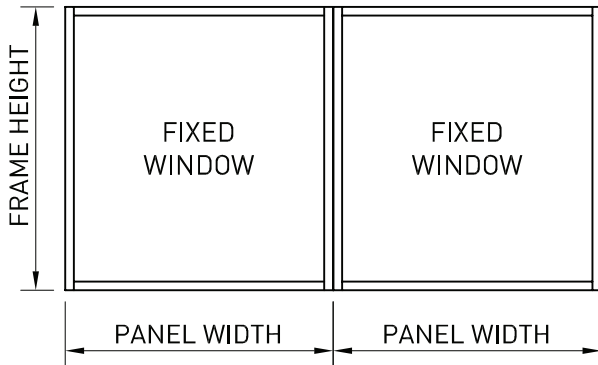
**CASEMENT WINDOW**

Maximum Design Wind Pressure: 1000Pa

Max Sash Height: 1350mm

Max Sash Width: 840mm

Loading Tables



The following calculations are based on theoretical section properties, not on approved tests as specified by AS2047. The Design Wind Pressure is used to calculate the theoretical maximum panel size and does not account for Water Penetration. For more detailed information on suitability please contact Lidco directly.

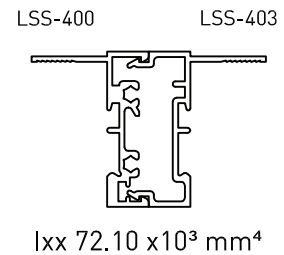
Residential Deflection ratio, K = 180

Note:  
The following figure is calculated based on fixed window only.

MULLION TYPE 1 - RESIDENTIAL (FIXED WINDOW)

Panel Width	400	500	600	700	800	900
Frame Height						
500	3.0kPa	3.0kPa	3.0kPa	3.0kPa	3.0kPa	3.0kPa
600	3.0kPa	3.0kPa	3.0kPa	3.0kPa	3.0kPa	3.0kPa
700	3.0kPa	3.0kPa	3.0kPa	3.0kPa	3.0kPa	3.0kPa
800	3.0kPa	3.0kPa	3.0kPa	3.0kPa	3.0kPa	3.0kPa
900	3.0kPa	3.0kPa	3.0kPa	3.0kPa	3.0kPa	3.0kPa
1000	3.0kPa	3.0kPa	3.0kPa	3.0kPa	3.0kPa	3.0kPa
1100	3.0kPa	3.0kPa	3.0kPa	2.2kPa	2.2kPa	2.2kPa
1200	3.0kPa	2.2kPa	2.2kPa	1.5kPa	1.5kPa	1.5kPa
1300	2.2kPa	1.5kPa	1.5kPa	1.5kPa	1.0kPa	1.0kPa
1400	1.5kPa	1.5kPa	1.0kPa	1.0kPa	1.0kPa	1.0kPa
1500	1.5kPa	1.0kPa	1.0kPa	0.7kPa	0.7kPa	0.7kPa
1600	1.0kPa	1.0kPa	0.7kPa	0.7kPa	0.7kPa	0.5kPa
1700	1.0kPa	0.7kPa	0.7kPa	0.5kPa	0.5kPa	0.5kPa
1800	0.7kPa	0.7kPa	0.5kPa	0.5kPa	-	-

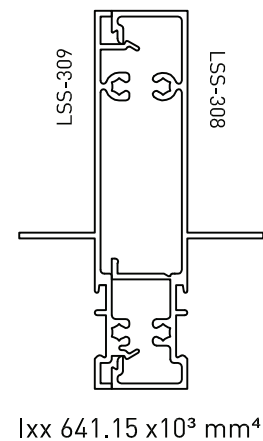
MULLION TYPE 1

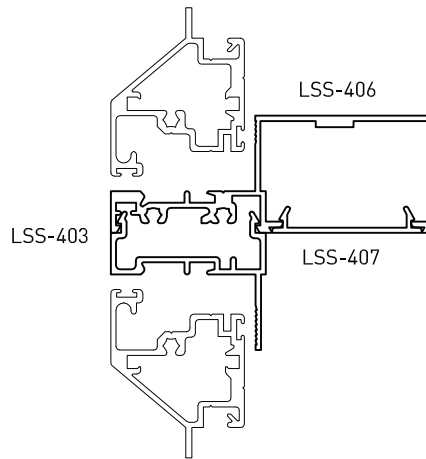


MULLION TYPE 2 - RESIDENTIAL (FIXED WINDOW)

Panel Width	400	500	600	700	800	900
Frame Height						
500	3.0kPa	3.0kPa	3.0kPa	3.0kPa	3.0kPa	3.0kPa
600	3.0kPa	3.0kPa	3.0kPa	3.0kPa	3.0kPa	3.0kPa
700	3.0kPa	3.0kPa	3.0kPa	3.0kPa	3.0kPa	3.0kPa
800	3.0kPa	3.0kPa	3.0kPa	3.0kPa	3.0kPa	3.0kPa
900	3.0kPa	3.0kPa	3.0kPa	3.0kPa	3.0kPa	3.0kPa
1000	3.0kPa	3.0kPa	3.0kPa	3.0kPa	3.0kPa	3.0kPa
1100	3.0kPa	3.0kPa	3.0kPa	3.0kPa	3.0kPa	3.0kPa
1200	3.0kPa	3.0kPa	3.0kPa	3.0kPa	3.0kPa	3.0kPa
1300	3.0kPa	3.0kPa	3.0kPa	3.0kPa	3.0kPa	3.0kPa
1400	3.0kPa	3.0kPa	3.0kPa	3.0kPa	3.0kPa	3.0kPa
1500	3.0kPa	3.0kPa	3.0kPa	3.0kPa	3.0kPa	3.0kPa
1600	3.0kPa	3.0kPa	3.0kPa	3.0kPa	3.0kPa	3.0kPa
1700	3.0kPa	3.0kPa	3.0kPa	3.0kPa	3.0kPa	3.0kPa
1800	3.0kPa	3.0kPa	3.0kPa	3.0kPa	3.0kPa	3.0kPa

MULLION TYPE 2



**Loading Tables**

$I \times 295.94 \times 10^3 \text{ mm}^4$

### Test Results

**140 LIFESTYLE awning window - single glazed - outward opening**

Serviceability load .....	+/- 0.7 kPa
Ultimate load .....	1.05 kPa
Water penetration .....	600 Pa
Air infiltration @75Pa .....	+ 0.959 l/s/m <sup>2</sup> - 0.903 l/s/m <sup>2</sup>
Test sample size .....	730mm high x 730mm wide
Test report number .....	NSW 313-90116