



## 611 SYSTEM

Fixed Ventilation Louvres

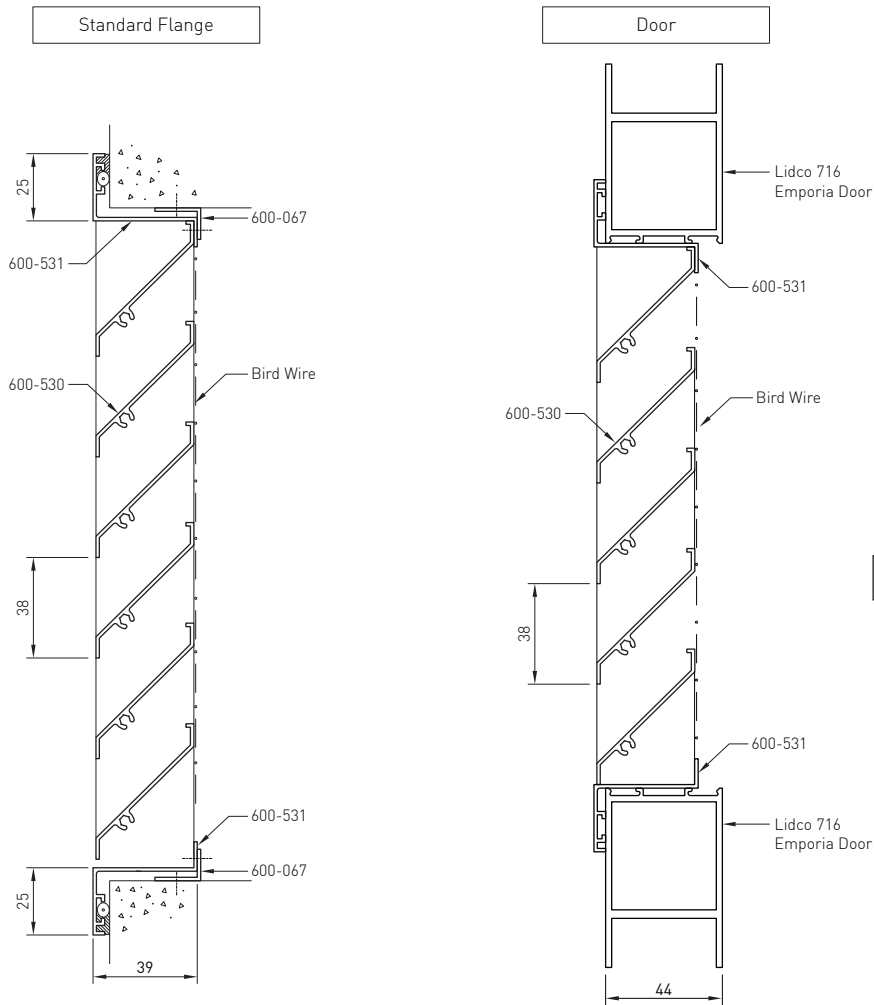
### Specifier Guide

---

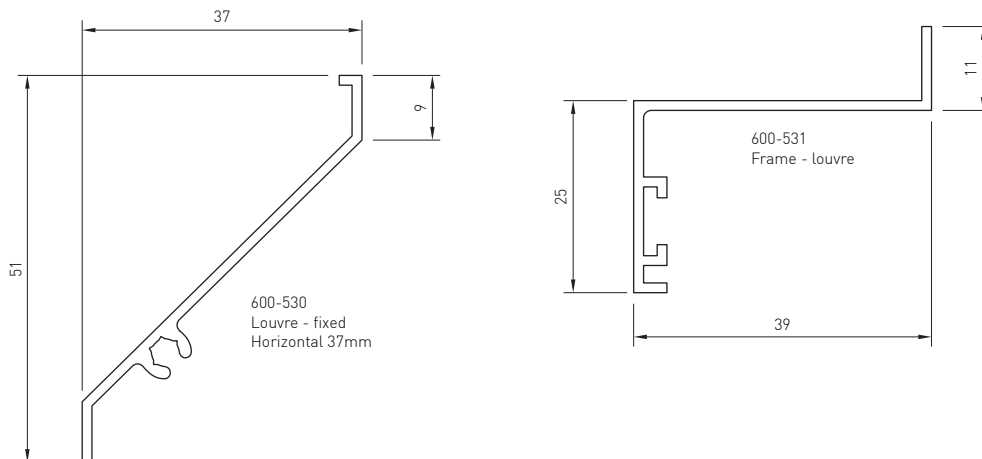
The Lidco Specifier's Guide contains technical information, maximum permissible sizes, typical configurations, energy ratings and key design features and benefits.



### Slimline Installation



### Full Size Sections



### SWG-50

#### Applications:

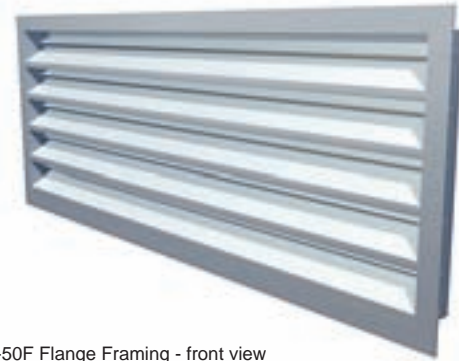
- ✓ Well suited to doors (external)
- ✓ Small external openings, that require constant weatherproof ventilation

#### Features:

- ✓ Curved water deflector
- ✓ Strong blade design

#### Technical Data:

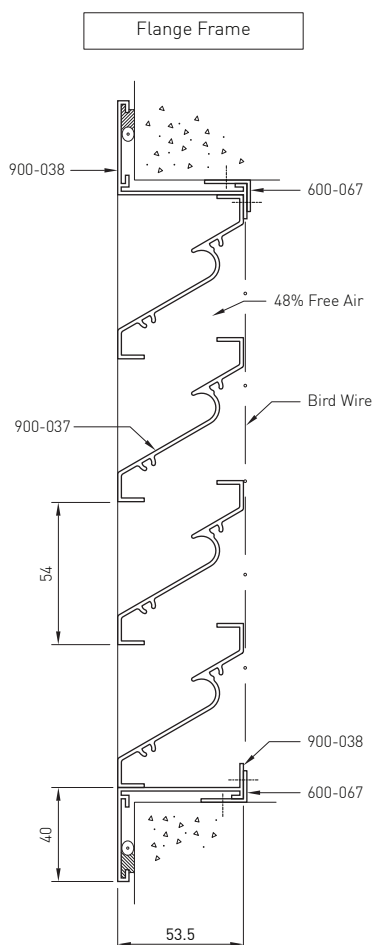
- ✓ 48% free air
- ✓ 50mm flange/flangeless frame
- ✓ Maximum height: 3000mm
- ✓ Maximum unsupported span: 1200mm



SWG-50F Flange Framing - front view

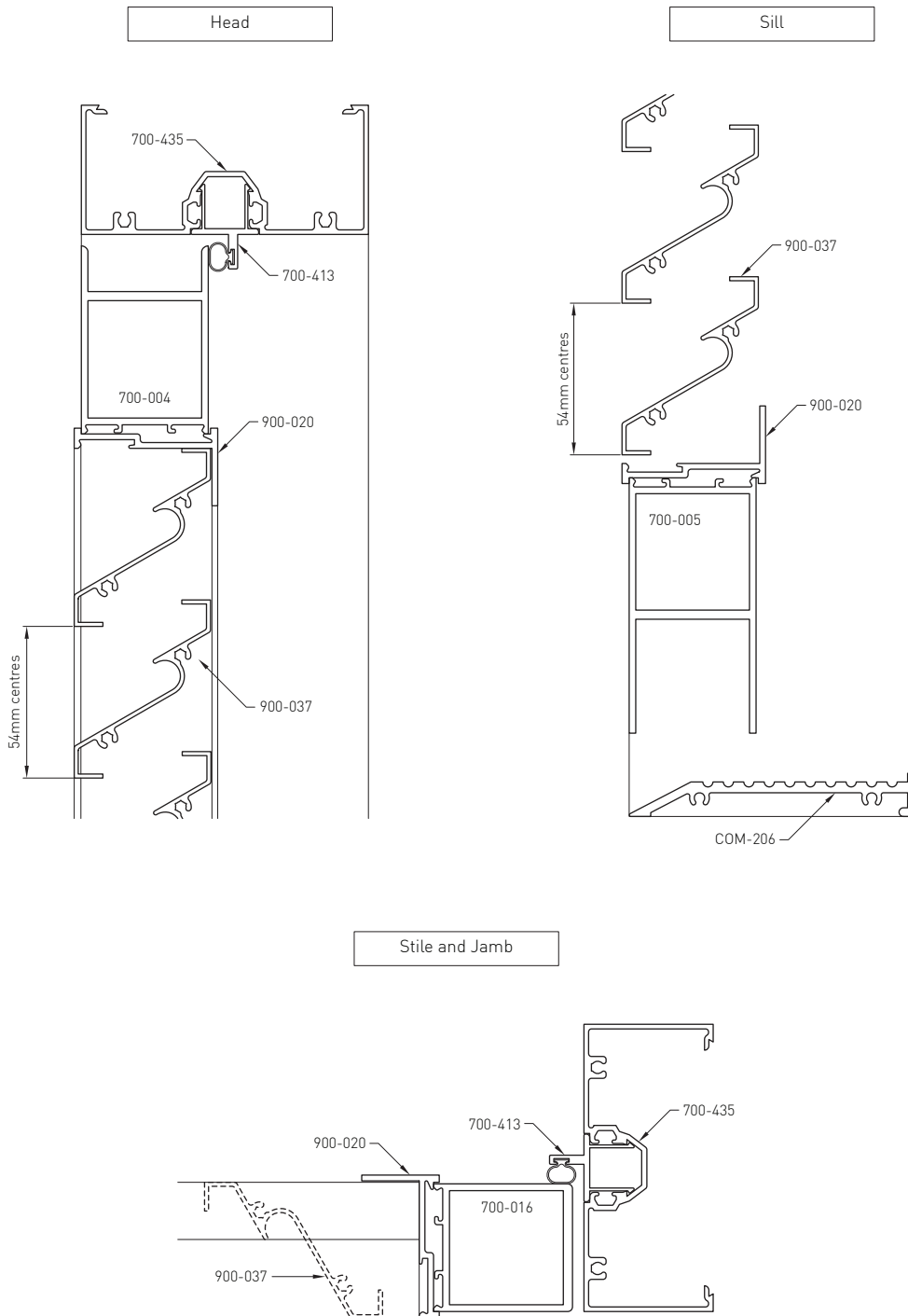


SWG-50F Flange Framing - rear view



Not to scale

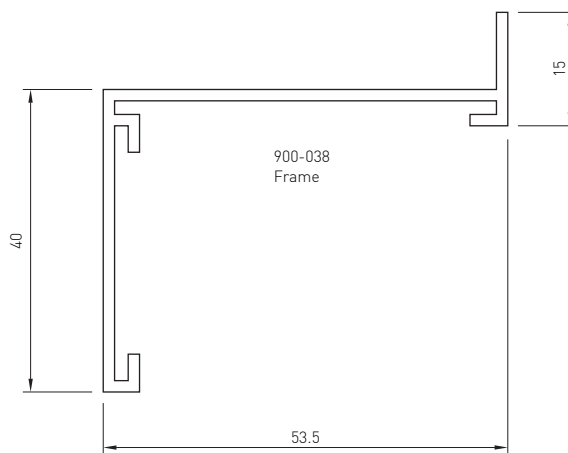
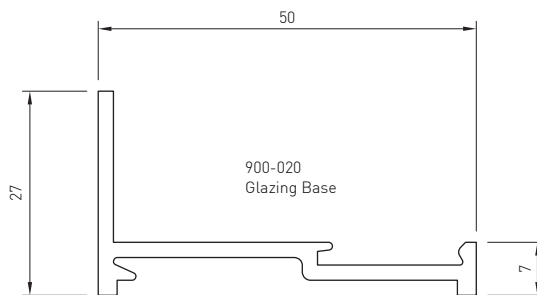
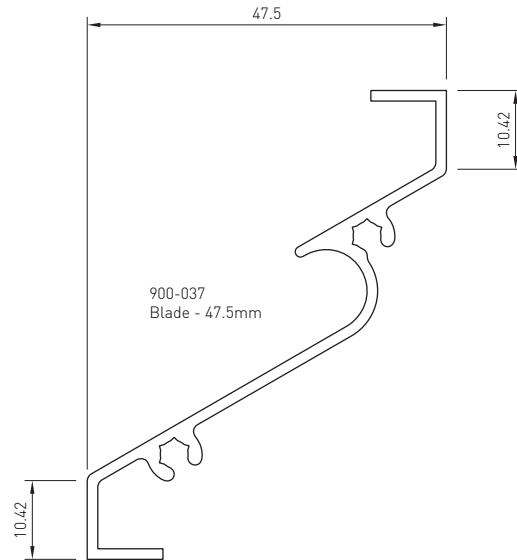
**SWG-50**  
In Door



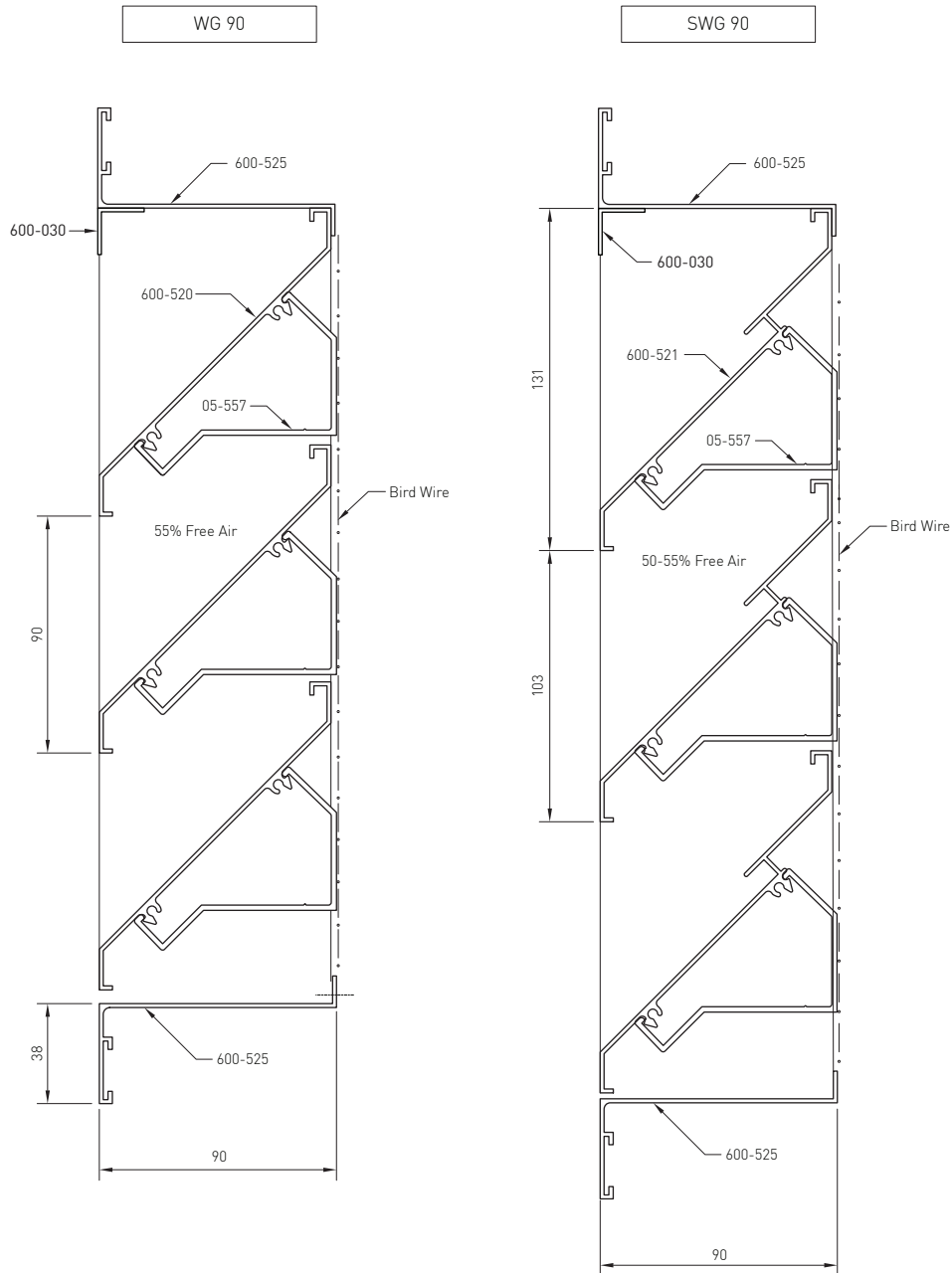
Note: Various stiles and rails available from Lidco ([www.lidco.com.au](http://www.lidco.com.au))

Not to scale

**SWG-50**  
Full Size Sections



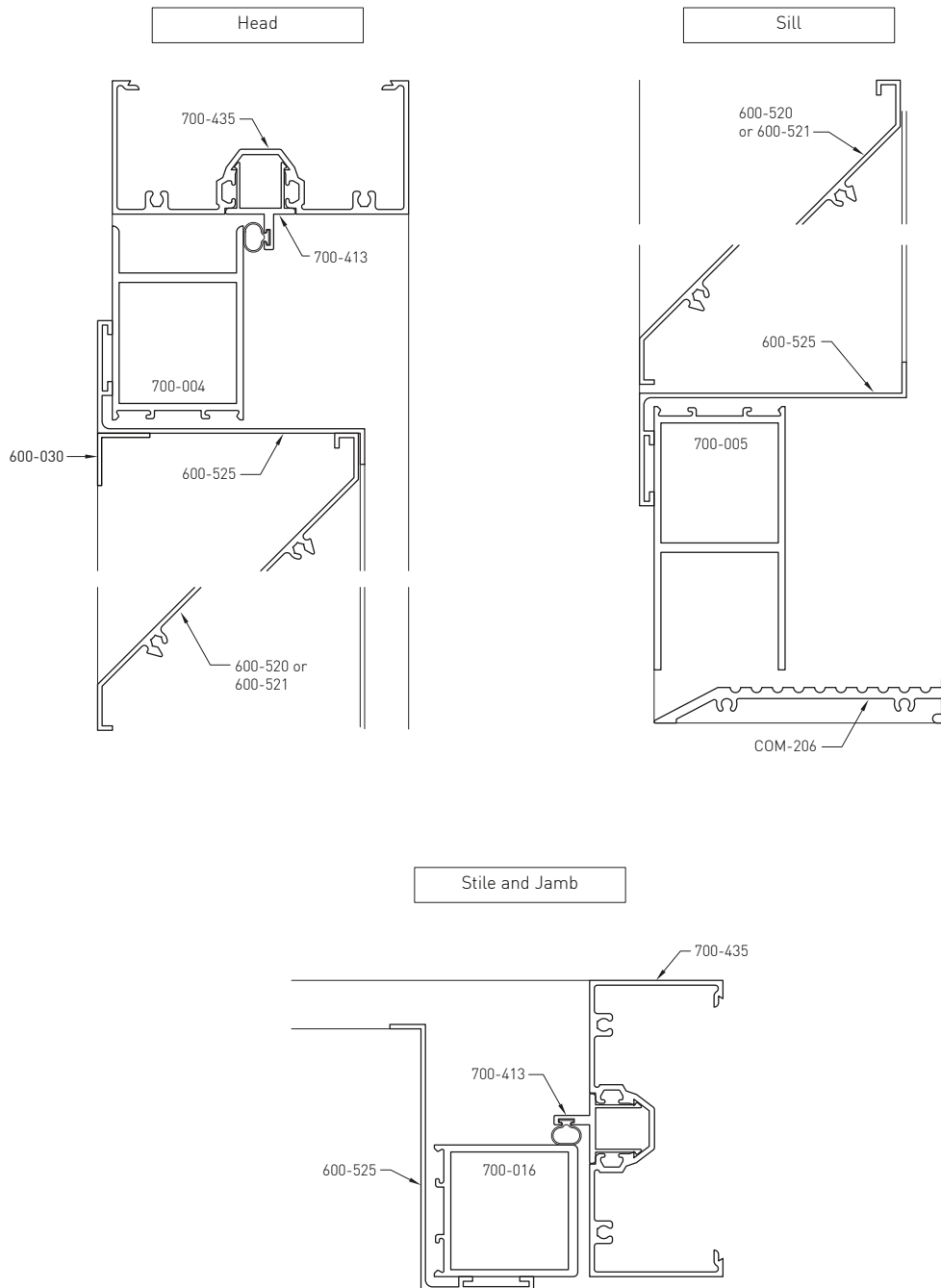
**WG-90 and SWG-90**  
Standard Flange Framing



Not to scale

**WG-90 and SWG-90**

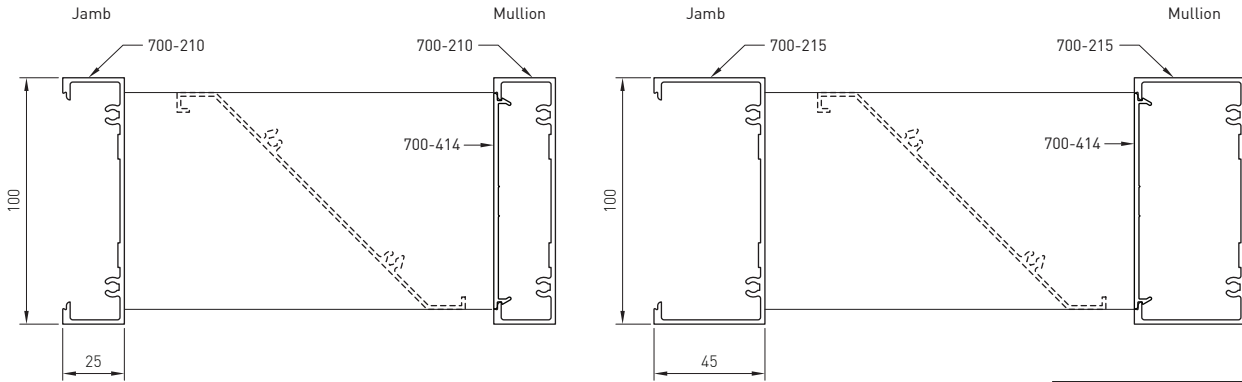
Commercial Door



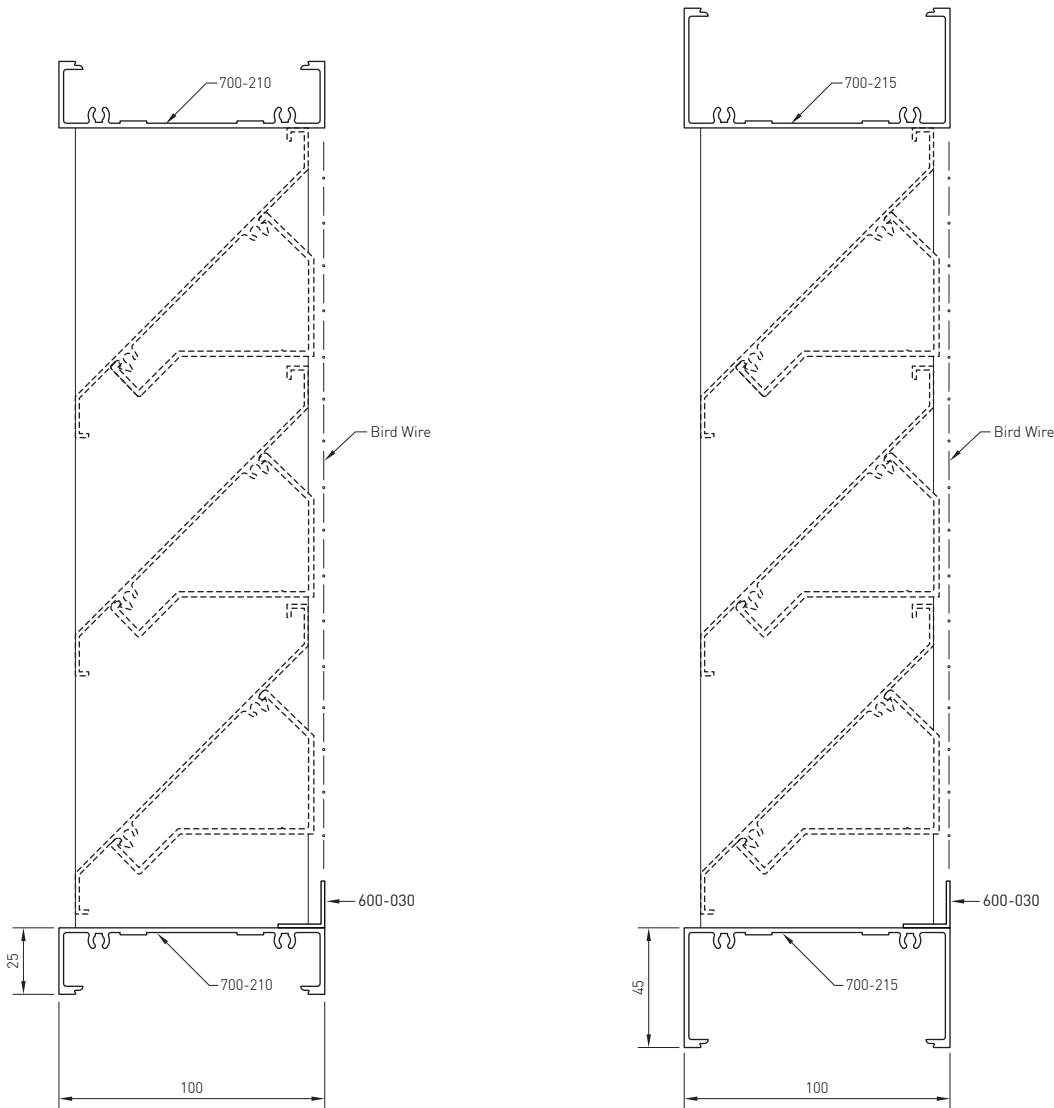
Note: Various stiles and rails available from Lidco ([www.lidco.com.au](http://www.lidco.com.au))

Not to scale

**WG-90 and SWG-90**  
 Commercial Framing (with Mullion Detail Option)



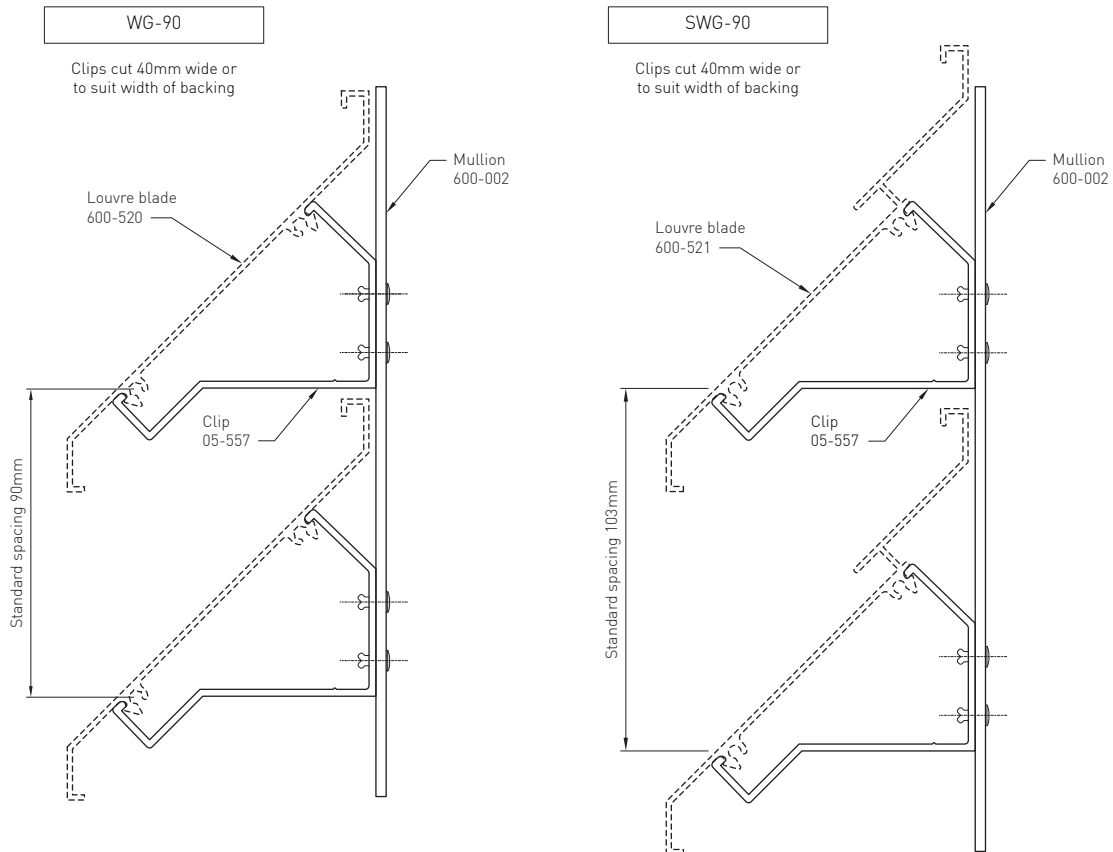
Not to scale



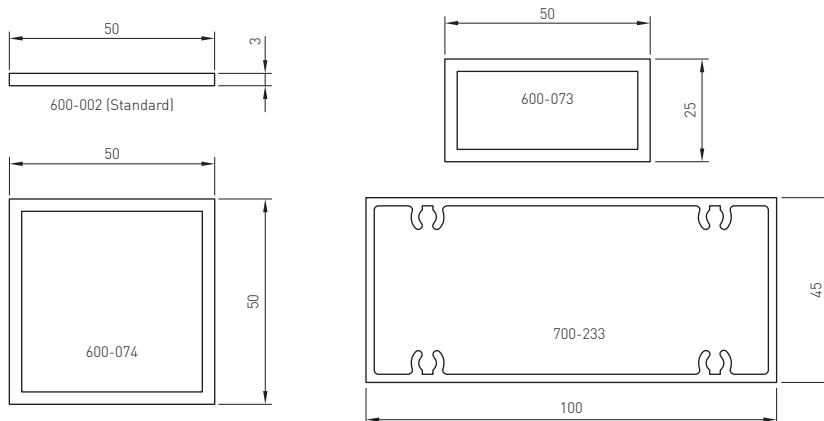
### WG-90 and SWG-90

#### Louvre Clip Detail

Note: Contact Klimat for customised spacing options



#### Mullion Options



Not to scale

## Vertical

### Applications:

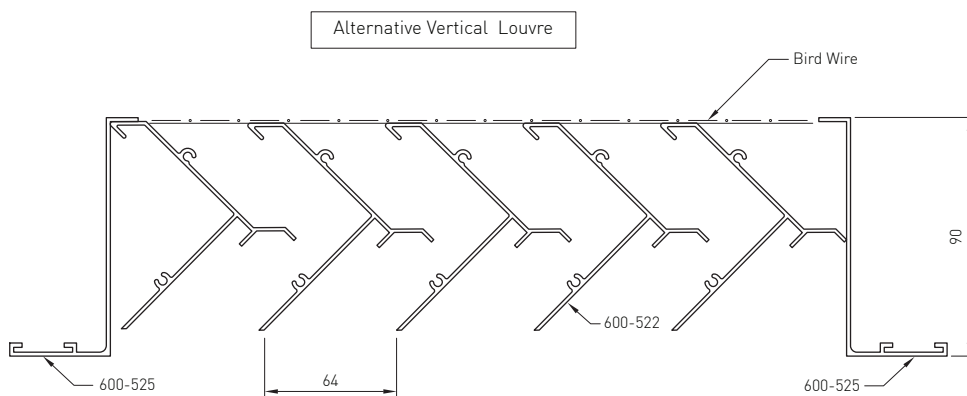
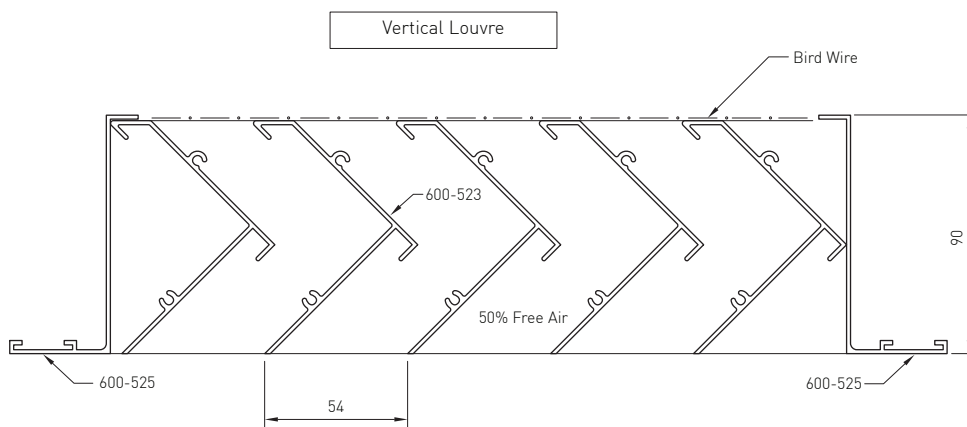
- ✓ Car parks, plant rooms, vertical openings
- ✓ External use

### Features:

- ✓ U-blade design with rectangular water deflector
- ✓ Total privacy (no light entry)

### Technical Data:

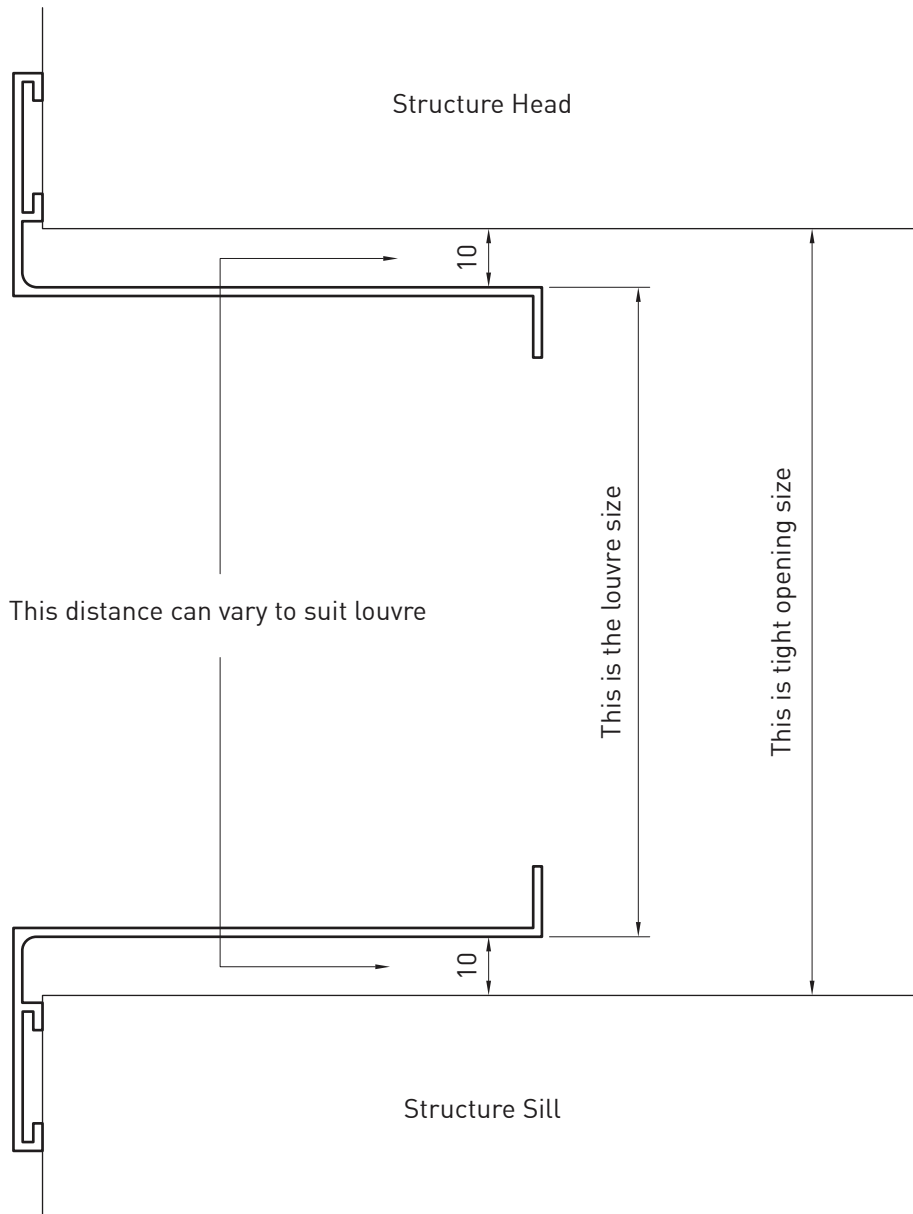
- ✓ Maximum height: 1500mm



Note: Can use Alternative Framing (refer to page 13)

Not to scale

### Tight Opening Size and Louvre Size



Not to scale