



COMMERCIAL RANGE 740 SYSTEM

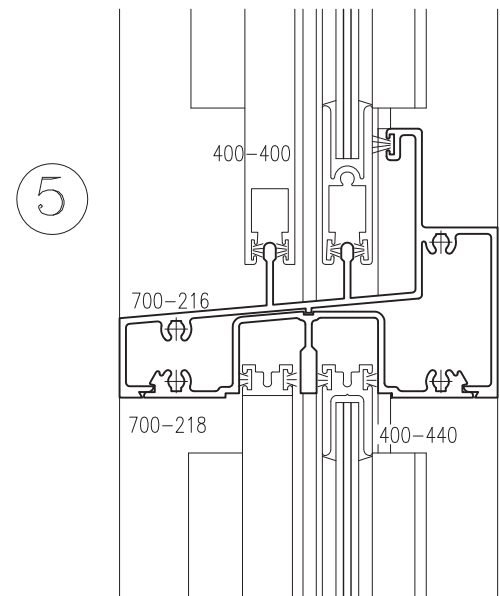
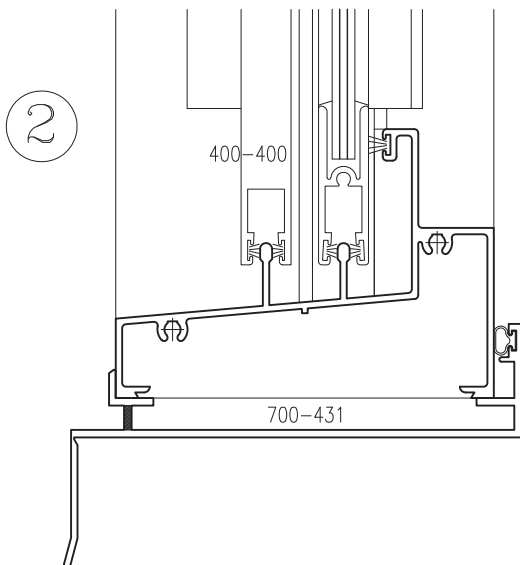
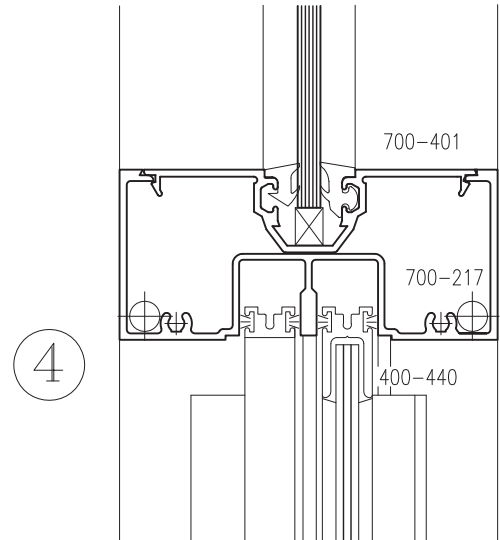
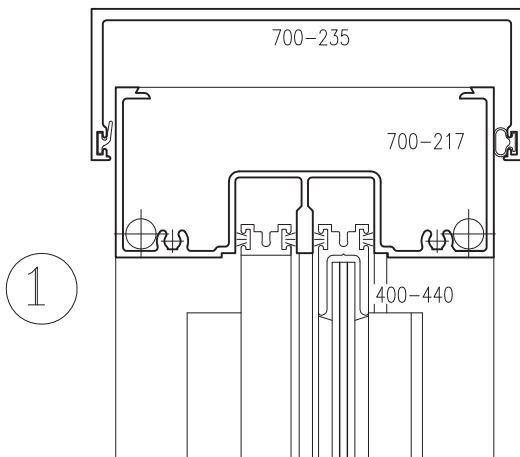
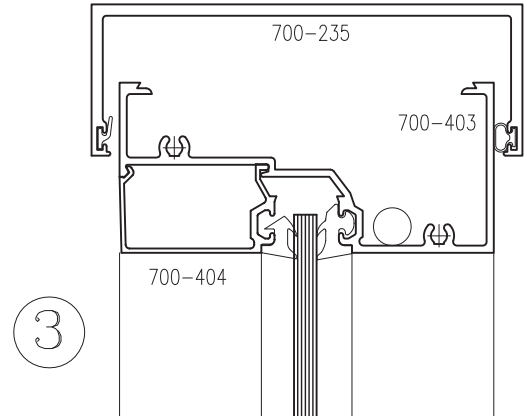
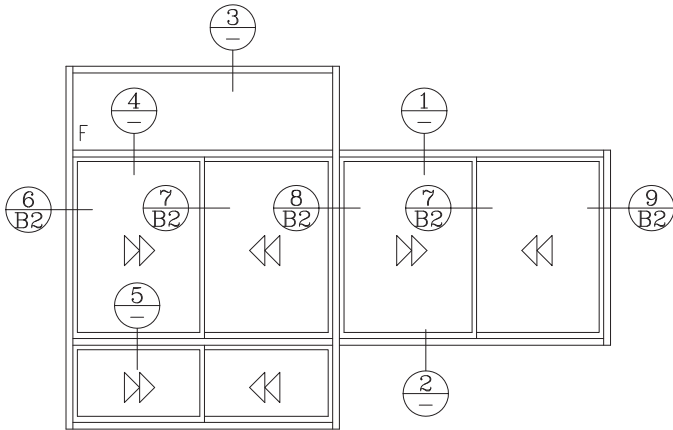
Pinnacle™ Narrow Sash Sliding Window

Specifier Guide

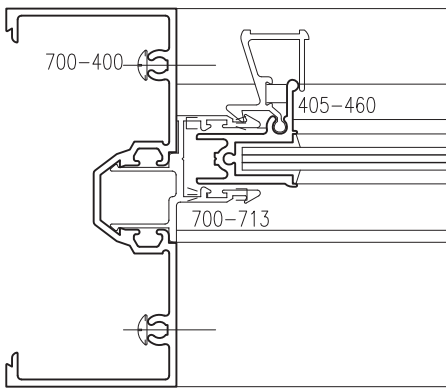
The Lidco Specifier's Guide contains technical information, maximum permissible sizes, typical configurations, energy ratings and key design features and benefits.



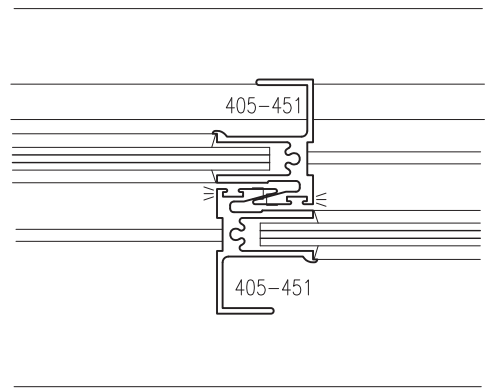
Typical Configurations



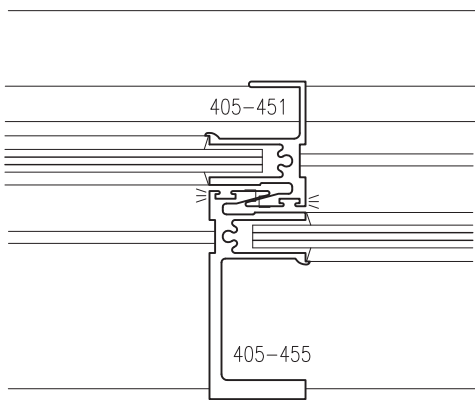
Typical Configurations



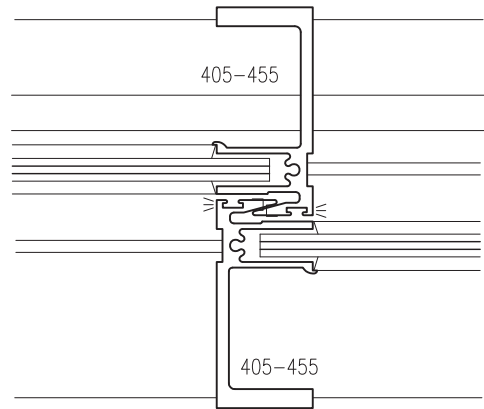
6



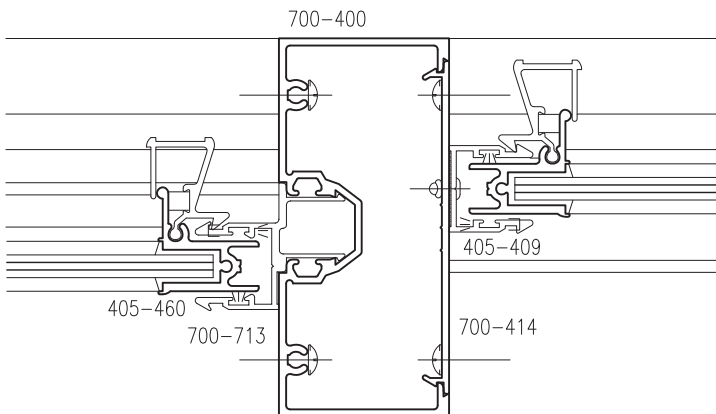
7



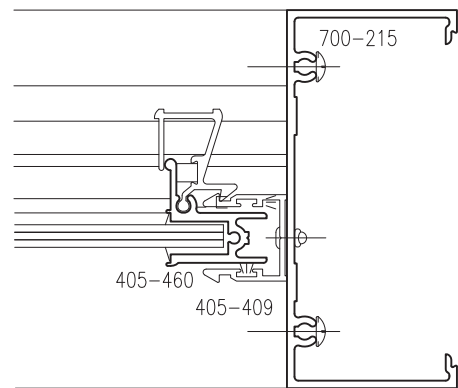
7



7

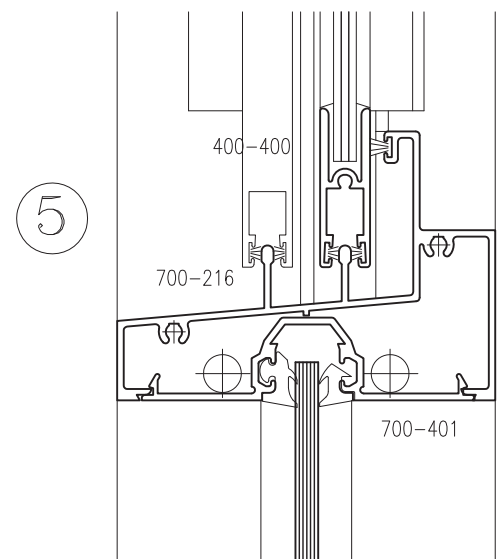
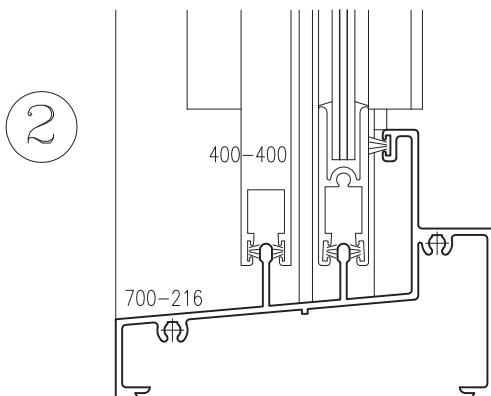
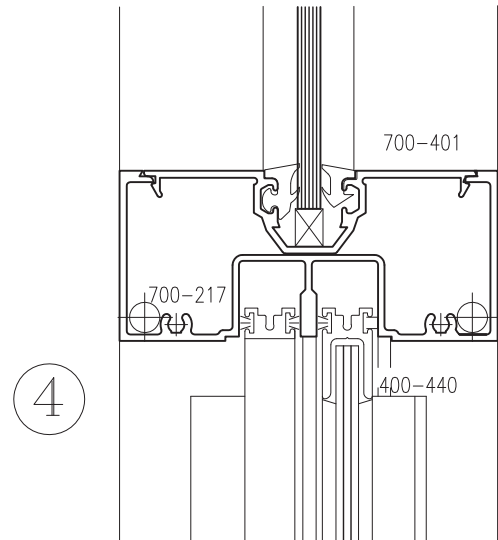
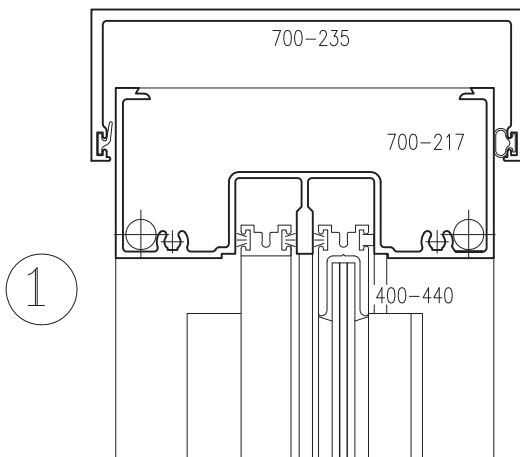
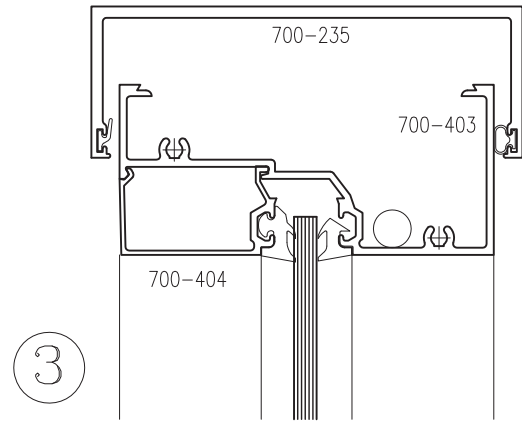
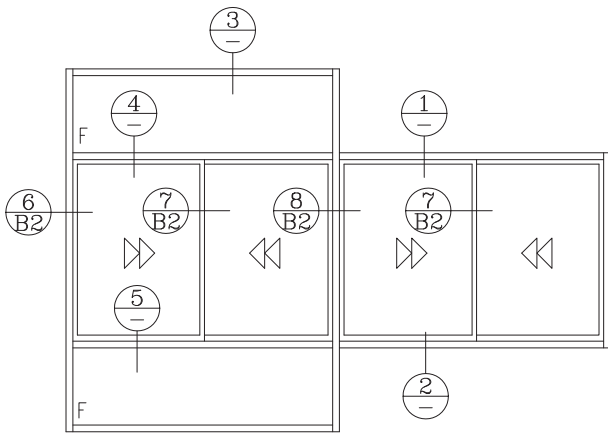


8

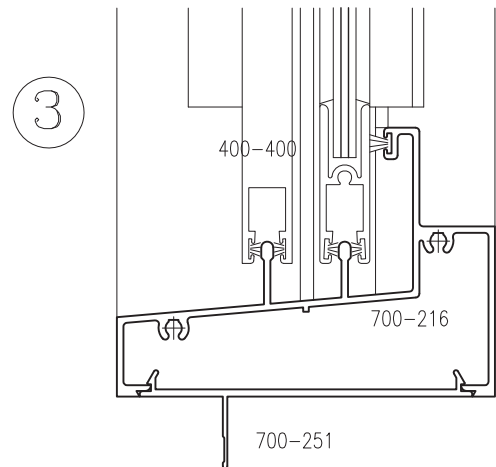
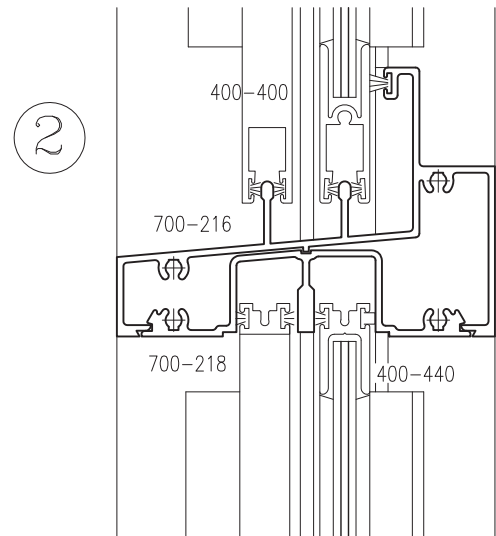
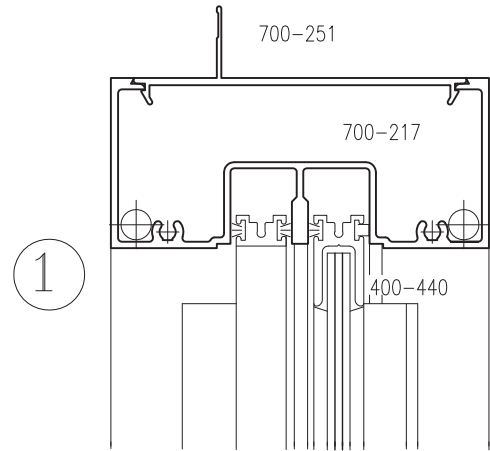
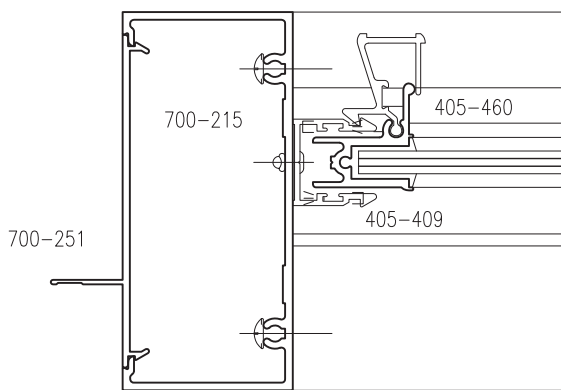
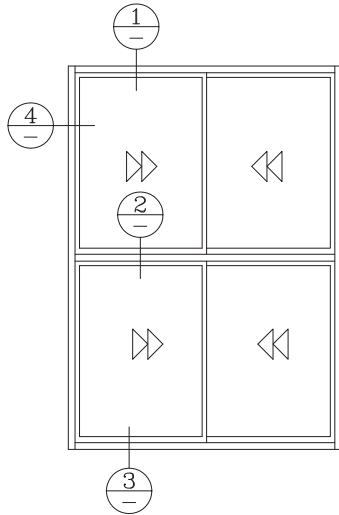


9

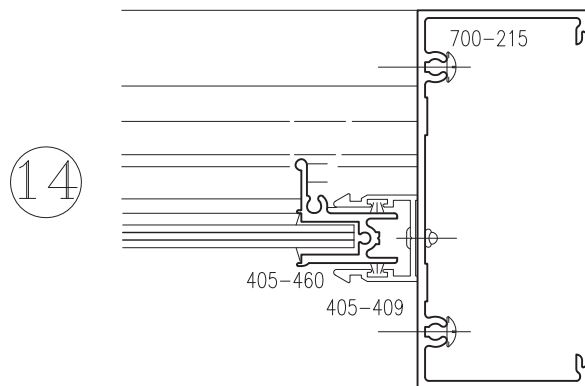
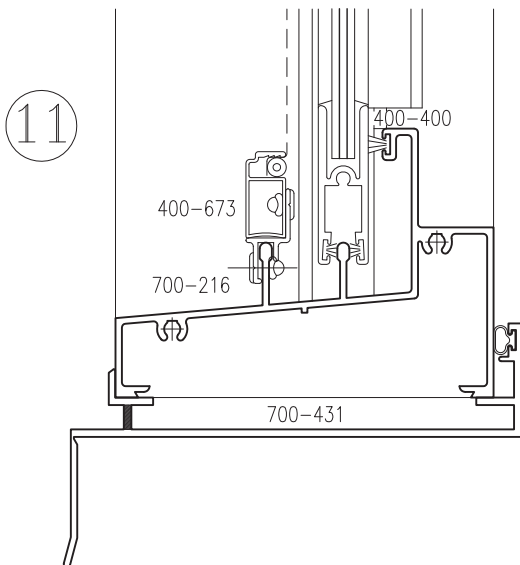
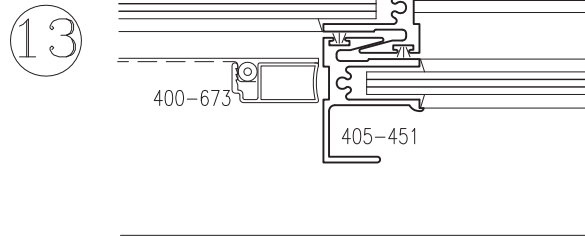
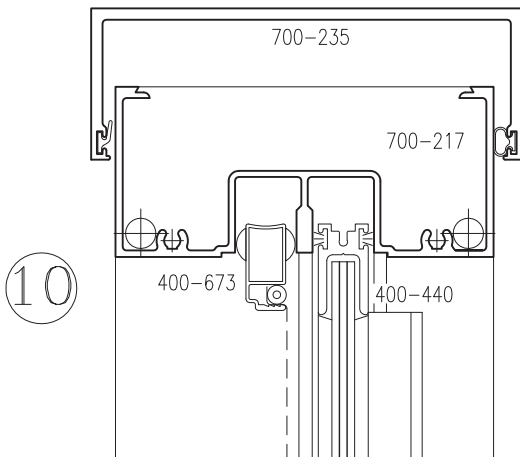
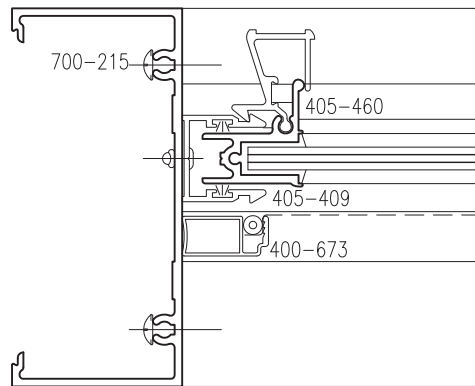
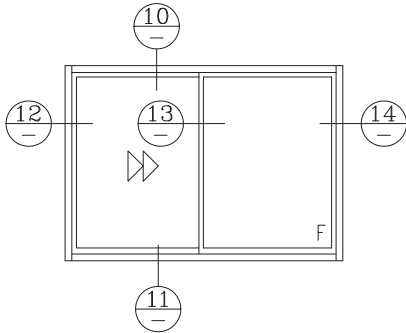
Typical Configurations



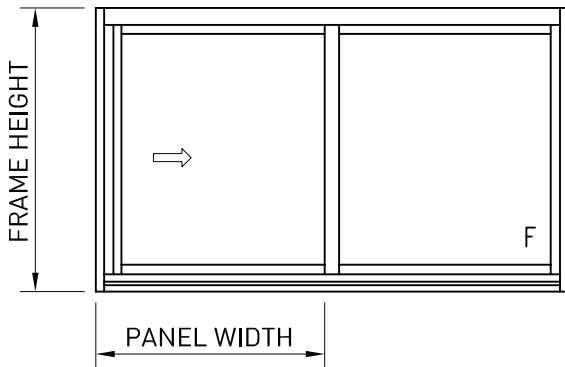
Typical Configurations



Typical Configurations



Typical Configurations

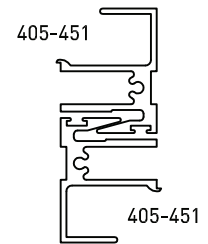


The following calculations are based on theoretical section properties, not on approved tests as specified by AS2047. The Design Wind Pressure is used to calculate the theoretical maximum panel size and does not account for Water Penetration. For more detailed information on suitability please contact Lidco directly.

Commercial Deflection ratio, K = 250

INTERLOCK TYPE 1 - COMMERCIAL

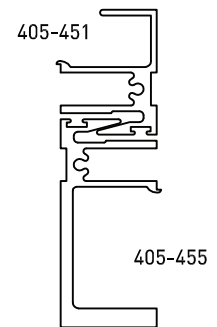
Panel Width	500	600	700	800	900	1000	1100	1200	1300	1400
Frame Height										
500	3.0kPa	3.0kPa	3.0kPa	3.0kPa	3.0kPa	3.0kPa	3.0kPa	3.0kPa	3.0kPa	3.0kPa
600	3.0kPa	3.0kPa	3.0kPa	3.0kPa	3.0kPa	3.0kPa	3.0kPa	3.0kPa	3.0kPa	3.0kPa
700	3.0kPa	3.0kPa	3.0kPa	3.0kPa	3.0kPa	3.0kPa	3.0kPa	3.0kPa	3.0kPa	3.0kPa
800	3.0kPa	3.0kPa	3.0kPa	3.0kPa	3.0kPa	3.0kPa	2.2kPa	2.2kPa	2.2kPa	1.5kPa
900	3.0kPa	2.2kPa	2.2kPa	2.2kPa	2.2kPa	1.5kPa	1.5kPa	1.5kPa	1.5kPa	1.0kPa
1000	1.5kPa	1.5kPa	1.5kPa	1.5kPa	1.5kPa	1.0kPa	1.0kPa	1.0kPa	1.0kPa	1.0kPa
1100	1.5kPa	1.0kPa	1.0kPa	1.0kPa	1.0kPa	1.0kPa	1.0kPa	0.7kPa	0.7kPa	0.7kPa
1200	1.0kPa	1.0kPa	0.7kPa	0.7kPa	0.7kPa	0.7kPa	0.7kPa	0.5kPa	0.5kPa	0.5kPa
1300	0.7kPa	0.7kPa	0.5kPa	0.5kPa	0.5kPa	0.5kPa	0.5kPa	0.5kPa	0.5kPa	-
1400	0.5kPa	0.5kPa	0.5kPa	-	-	-	-	-	-	-
1500	0.5kPa	-	-	-	-	-	-	-	-	-
1600	-	-	-	-	-	-	-	-	-	-
1700	-	-	-	-	-	-	-	-	-	-
1800	-	-	-	-	-	-	-	-	-	-



lxx 37.50 x 10³ mm⁴

INTERLOCK TYPE 2 - COMMERCIAL

Panel Width	500	600	700	800	900	1000	1100	1200	1300	1400
Frame Height										
500	3.0kPa	3.0kPa	3.0kPa	3.0kPa	3.0kPa	3.0kPa	3.0kPa	3.0kPa	3.0kPa	3.0kPa
600	3.0kPa	3.0kPa	3.0kPa	3.0kPa	3.0kPa	3.0kPa	3.0kPa	3.0kPa	3.0kPa	3.0kPa
700	3.0kPa	3.0kPa	3.0kPa	3.0kPa	3.0kPa	3.0kPa	3.0kPa	3.0kPa	3.0kPa	3.0kPa
800	3.0kPa	3.0kPa	3.0kPa	3.0kPa	3.0kPa	3.0kPa	3.0kPa	3.0kPa	3.0kPa	3.0kPa
900	3.0kPa	3.0kPa	3.0kPa	3.0kPa	3.0kPa	3.0kPa	3.0kPa	3.0kPa	3.0kPa	3.0kPa
1000	3.0kPa	3.0kPa	3.0kPa	3.0kPa	3.0kPa	3.0kPa	3.0kPa	3.0kPa	3.0kPa	3.0kPa
1100	3.0kPa	3.0kPa	3.0kPa	3.0kPa	3.0kPa	3.0kPa	3.0kPa	3.0kPa	3.0kPa	3.0kPa
1200	3.0kPa	3.0kPa	3.0kPa	3.0kPa	3.0kPa	3.0kPa	3.0kPa	3.0kPa	2.2kPa	2.2kPa
1300	3.0kPa	3.0kPa	3.0kPa	2.2kPa	2.2kPa	2.2kPa	2.2kPa	2.2kPa	2.2kPa	1.5kPa
1400	3.0kPa	2.2kPa	2.2kPa	1.5kPa	1.5kPa	1.5kPa	1.5kPa	1.5kPa	1.5kPa	1.5kPa
1500	2.2kPa	1.5kPa	1.5kPa	1.5kPa	1.5kPa	1.0kPa	1.0kPa	1.0kPa	1.0kPa	1.0kPa
1600	1.5kPa	1.5kPa	1.5kPa	1.0kPa	1.0kPa	1.0kPa	1.0kPa	1.0kPa	1.0kPa	1.0kPa
1700	1.5kPa	1.0kPa	1.0kPa	1.0kPa	1.0kPa	0.7kPa	0.7kPa	0.7kPa	0.7kPa	0.7kPa
1800	1.0kPa	1.0kPa	1.0kPa	0.7kPa	0.7kPa	0.7kPa	0.7kPa	0.5kPa	0.5kPa	0.5kPa

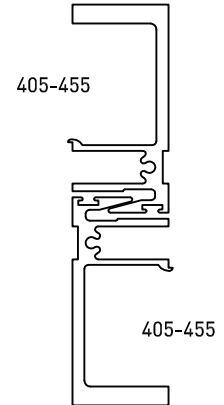


lxx 169.72 x 10³ mm⁴

Typical Configurations

INTERLOCK TYPE 3 - COMMERCIAL

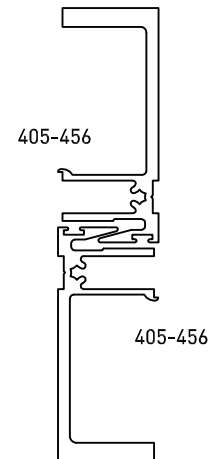
Panel Width	500	600	700	800	900	1000	1100	1200	1300	1400
Frame Height										
500	3.0kPa	3.0kPa	3.0kPa	3.0kPa	3.0kPa	3.0kPa	3.0kPa	3.0kPa	3.0kPa	3.0kPa
600	3.0kPa	3.0kPa	3.0kPa	3.0kPa	3.0kPa	3.0kPa	3.0kPa	3.0kPa	3.0kPa	3.0kPa
700	3.0kPa	3.0kPa	3.0kPa	3.0kPa	3.0kPa	3.0kPa	3.0kPa	3.0kPa	3.0kPa	3.0kPa
800	3.0kPa	3.0kPa	3.0kPa	3.0kPa	3.0kPa	3.0kPa	3.0kPa	3.0kPa	3.0kPa	3.0kPa
900	3.0kPa	3.0kPa	3.0kPa	3.0kPa	3.0kPa	3.0kPa	3.0kPa	3.0kPa	3.0kPa	3.0kPa
1000	3.0kPa	3.0kPa	3.0kPa	3.0kPa	3.0kPa	3.0kPa	3.0kPa	3.0kPa	3.0kPa	3.0kPa
1100	3.0kPa	3.0kPa	3.0kPa	3.0kPa	3.0kPa	3.0kPa	3.0kPa	3.0kPa	3.0kPa	3.0kPa
1200	3.0kPa	3.0kPa	3.0kPa	3.0kPa	3.0kPa	3.0kPa	3.0kPa	3.0kPa	3.0kPa	3.0kPa
1300	3.0kPa	3.0kPa	3.0kPa	3.0kPa	3.0kPa	3.0kPa	3.0kPa	3.0kPa	3.0kPa	3.0kPa
1400	3.0kPa	3.0kPa	3.0kPa	3.0kPa	3.0kPa	3.0kPa	3.0kPa	3.0kPa	3.0kPa	3.0kPa
1500	3.0kPa	3.0kPa	3.0kPa	3.0kPa	2.2kPa	2.2kPa	2.2kPa	2.2kPa	2.2kPa	2.2kPa
1600	3.0kPa	3.0kPa	2.2kPa	2.2kPa	2.2kPa	1.5kPa	1.5kPa	1.5kPa	1.5kPa	1.5kPa
1700	3.0kPa	2.2kPa	2.2kPa	1.5kPa	1.5kPa	1.5kPa	1.5kPa	1.5kPa	1.0kPa	1.0kPa
1800	2.2kPa	1.5kPa	1.5kPa	1.5kPa	1.5kPa	1.0kPa	1.0kPa	1.0kPa	1.0kPa	1.0kPa



$I_{xx} 301.34 \times 10^3 \text{ mm}^4$

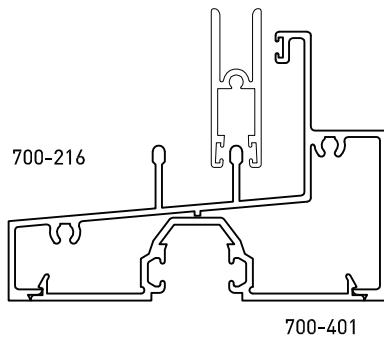
INTERLOCK TYPE 4 - COMMERCIAL

Panel Width	500	600	700	800	900	1000	1100	1200	1300	1400
Frame Height										
500	3.0kPa	3.0kPa	3.0kPa	3.0kPa	3.0kPa	3.0kPa	3.0kPa	3.0kPa	3.0kPa	3.0kPa
600	3.0kPa	3.0kPa	3.0kPa	3.0kPa	3.0kPa	3.0kPa	3.0kPa	3.0kPa	3.0kPa	3.0kPa
700	3.0kPa	3.0kPa	3.0kPa	3.0kPa	3.0kPa	3.0kPa	3.0kPa	3.0kPa	3.0kPa	3.0kPa
800	3.0kPa	3.0kPa	3.0kPa	3.0kPa	3.0kPa	3.0kPa	3.0kPa	3.0kPa	3.0kPa	3.0kPa
900	3.0kPa	3.0kPa	3.0kPa	3.0kPa	3.0kPa	3.0kPa	3.0kPa	3.0kPa	3.0kPa	3.0kPa
1000	3.0kPa	3.0kPa	3.0kPa	3.0kPa	3.0kPa	3.0kPa	3.0kPa	3.0kPa	3.0kPa	3.0kPa
1100	3.0kPa	3.0kPa	3.0kPa	3.0kPa	3.0kPa	3.0kPa	3.0kPa	3.0kPa	3.0kPa	3.0kPa
1200	3.0kPa	3.0kPa	3.0kPa	3.0kPa	3.0kPa	3.0kPa	3.0kPa	3.0kPa	3.0kPa	3.0kPa
1300	3.0kPa	3.0kPa	3.0kPa	3.0kPa	3.0kPa	3.0kPa	3.0kPa	3.0kPa	3.0kPa	3.0kPa
1400	3.0kPa	3.0kPa	3.0kPa	3.0kPa	3.0kPa	3.0kPa	3.0kPa	3.0kPa	3.0kPa	3.0kPa
1500	3.0kPa	3.0kPa	3.0kPa	3.0kPa	3.0kPa	3.0kPa	3.0kPa	3.0kPa	3.0kPa	3.0kPa
1600	3.0kPa	3.0kPa	3.0kPa	3.0kPa	3.0kPa	2.2kPa	2.2kPa	2.2kPa	2.2kPa	2.2kPa
1700	3.0kPa	3.0kPa	3.0kPa	2.2kPa	2.2kPa	2.2kPa	1.5kPa	1.5kPa	1.5kPa	1.5kPa
1800	3.0kPa	2.2kPa	2.2kPa	2.2kPa	1.5kPa	1.5kPa	1.5kPa	1.5kPa	1.5kPa	1.5kPa

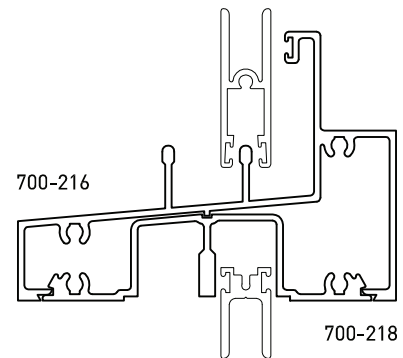


$I_{xx} 410.90 \times 10^3 \text{ mm}^4$

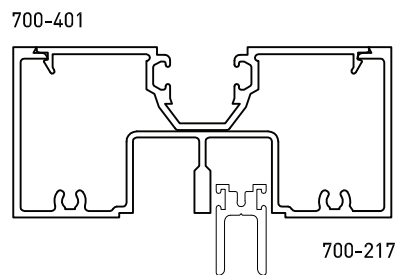
Design Data



lxx 726.57 x10³ mm⁴



lxx 804.73 x10³ mm⁴



lxx 788.57 x10³ mm⁴