



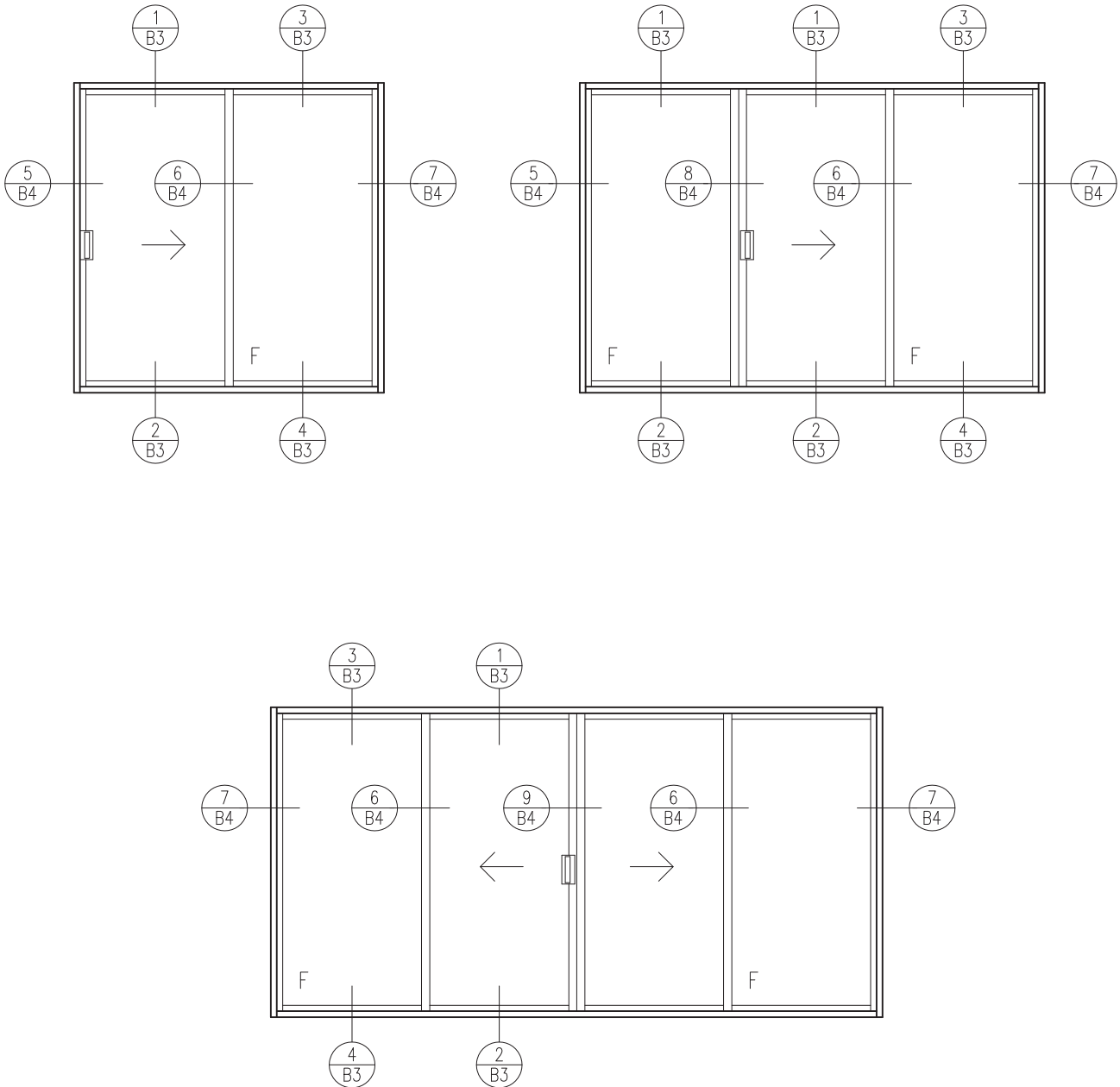
CONTEMPORARY RANGE 130 SYSTEM

Lifestyle™ Sliding/Stacking Door

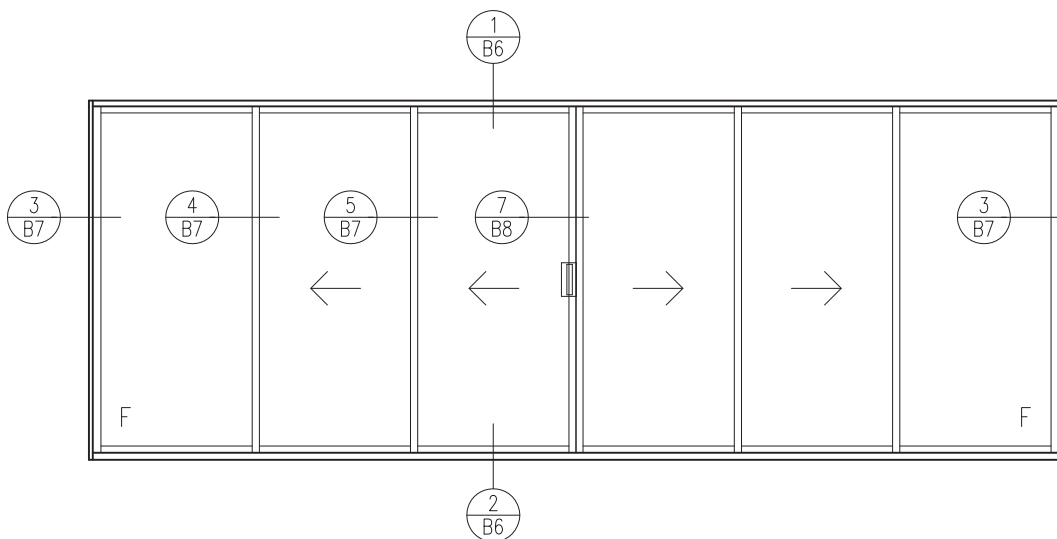
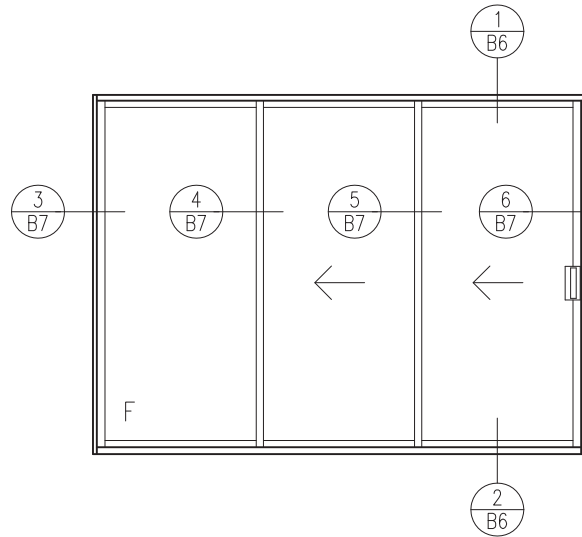
Specifier Guide

The Lidco Specifier's Guide contains technical information, maximum permissible sizes, typical configurations, energy ratings and key design features and benefits.

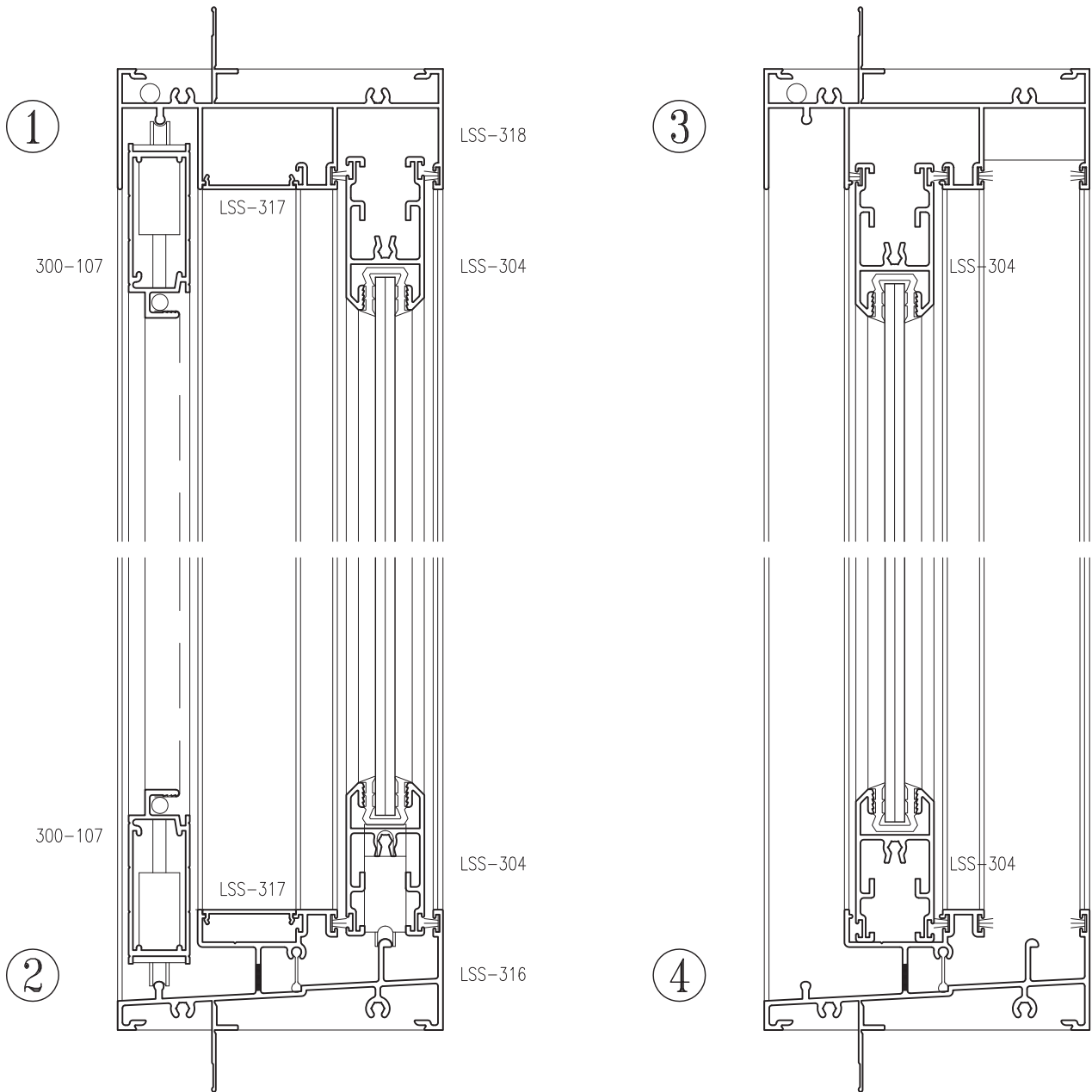


Typical Configurations


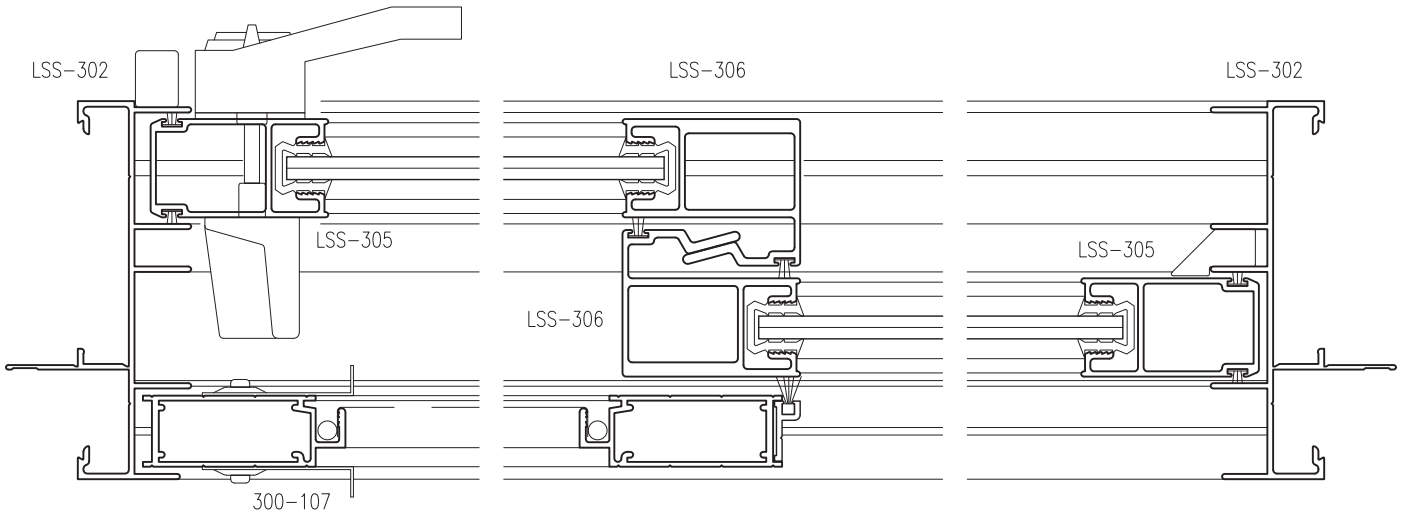
Typical Configurations



Typical Configurations



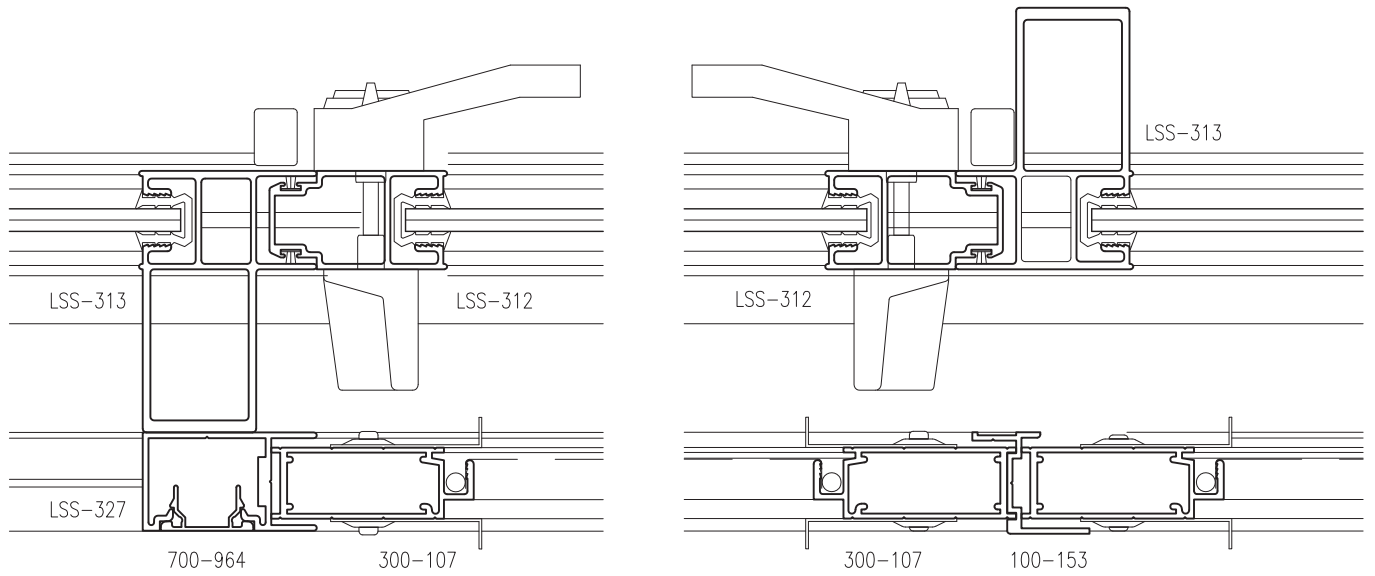
Typical Configurations



5

6

7

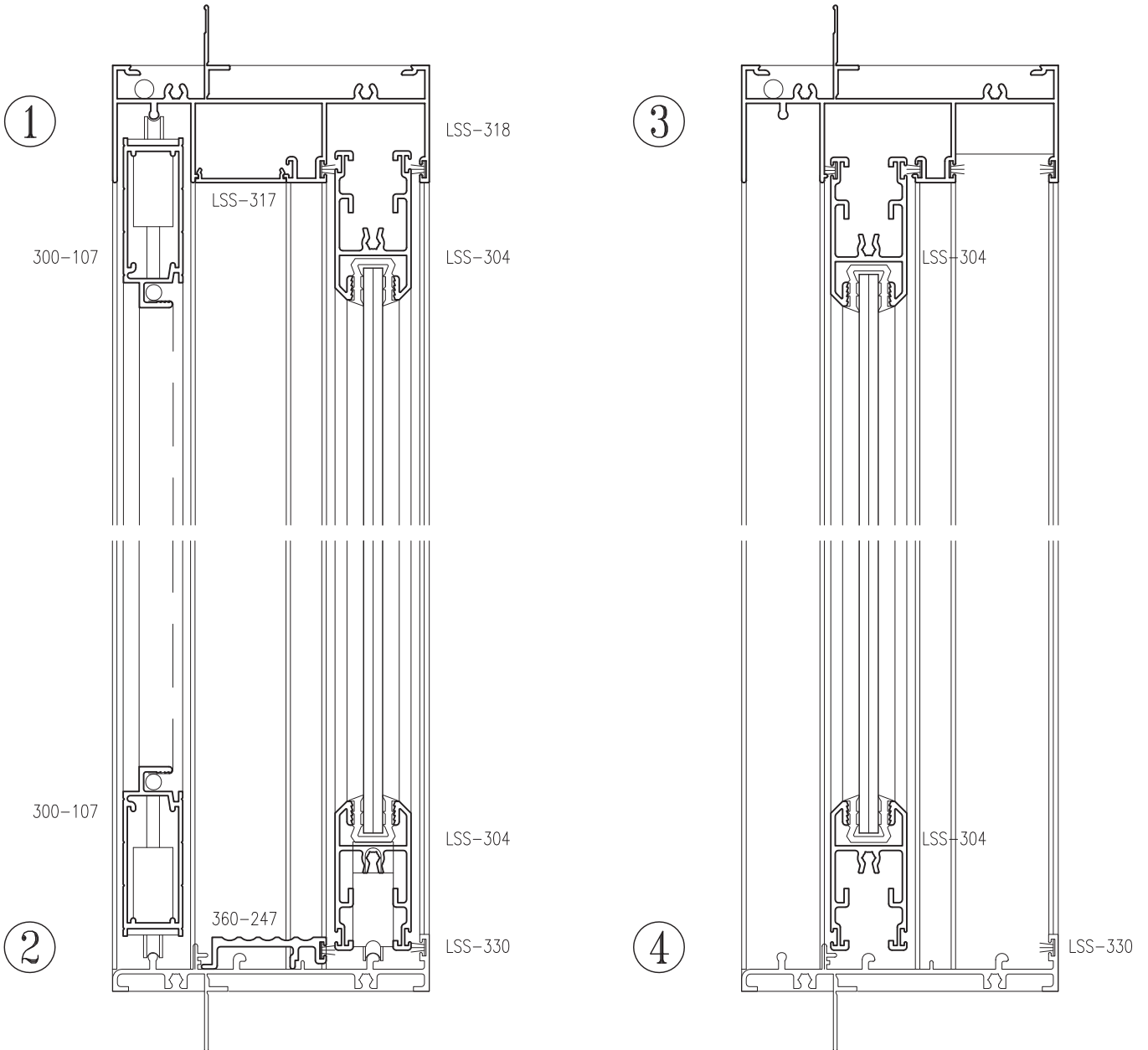


8

9

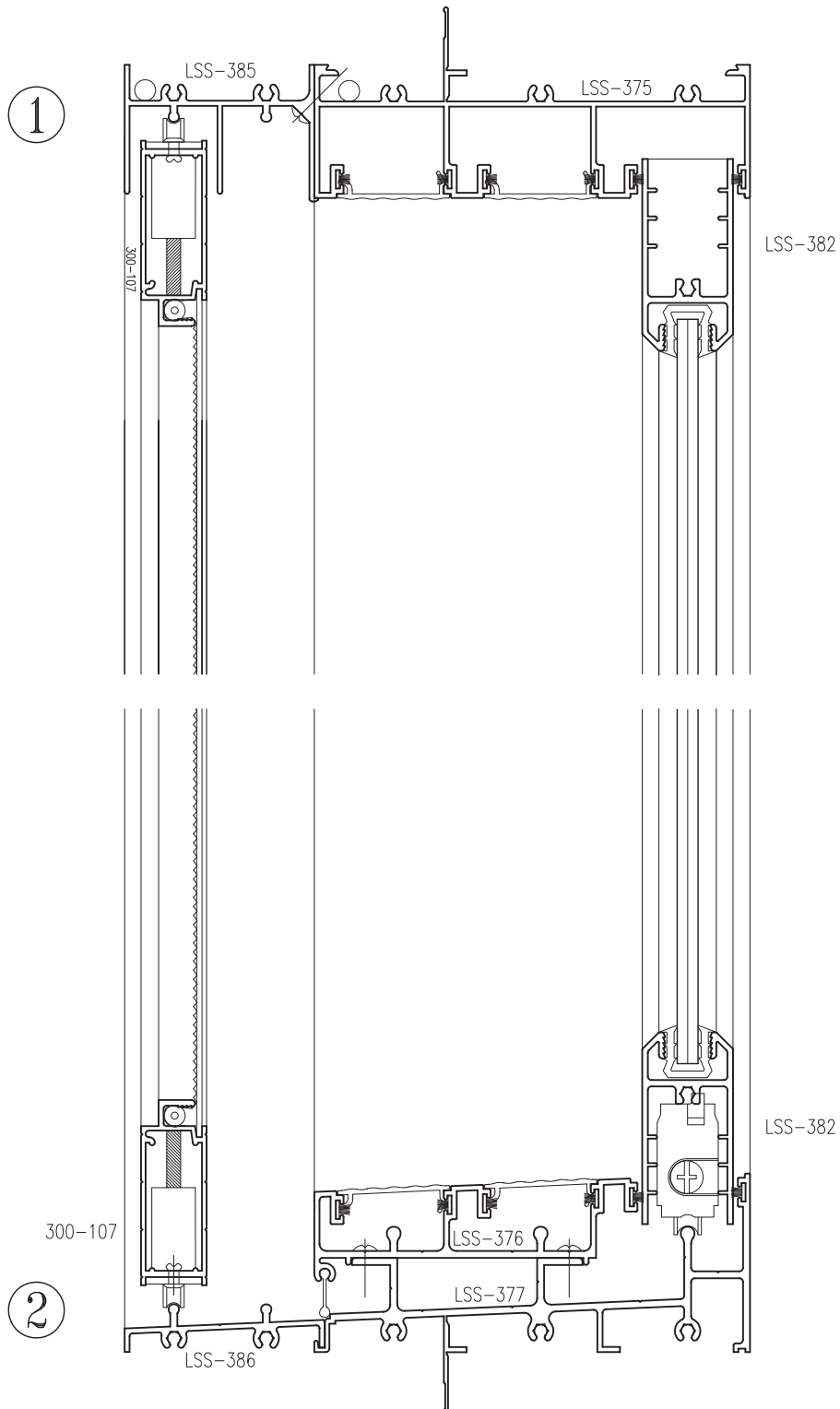
Typical Configurations

NOTE: DISABLED AND AGED CARE ACCESS SILL

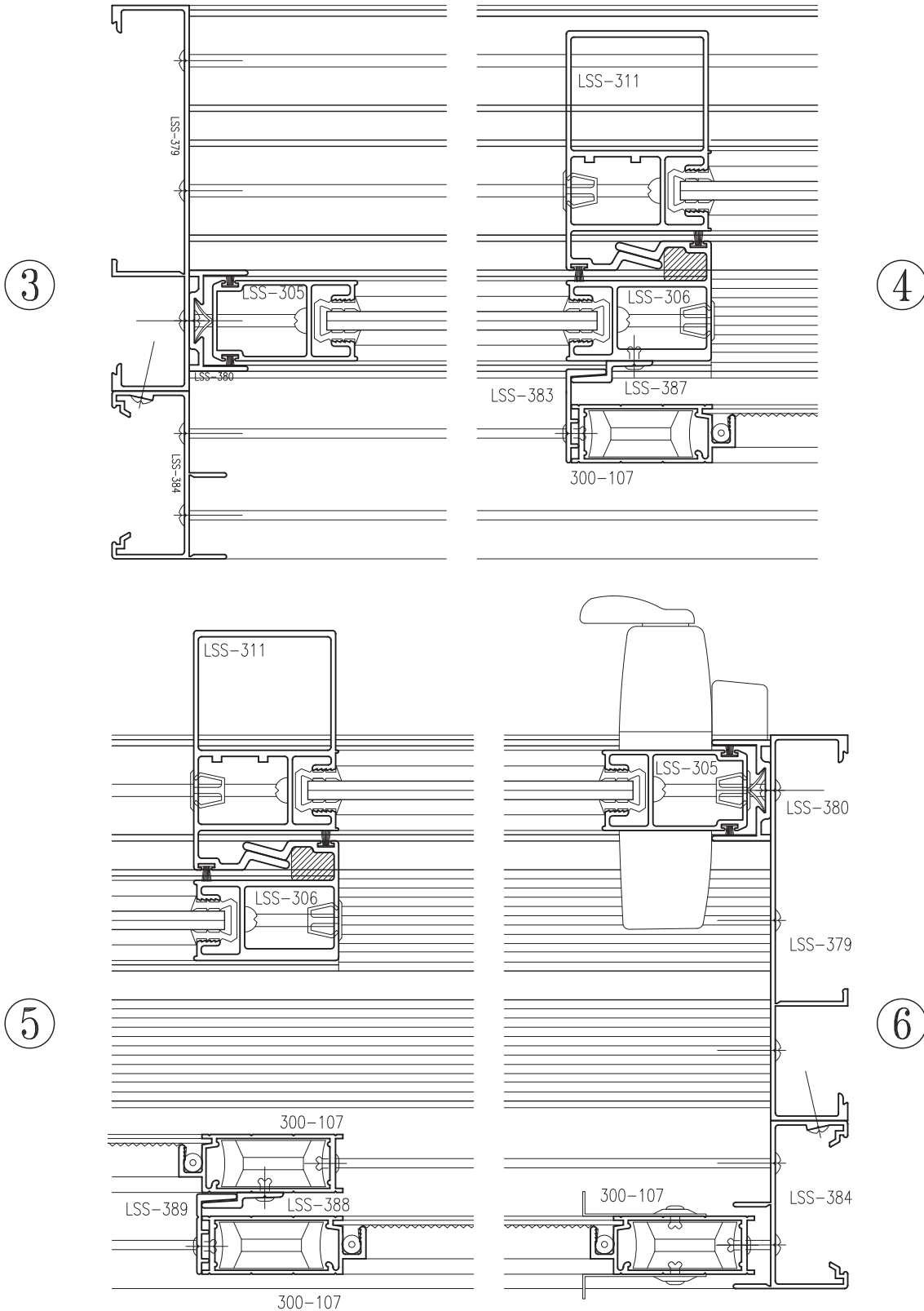


NOTE: LOW RISE SILL NOT SUITABLE FOR EXPOSED LOCATIONS

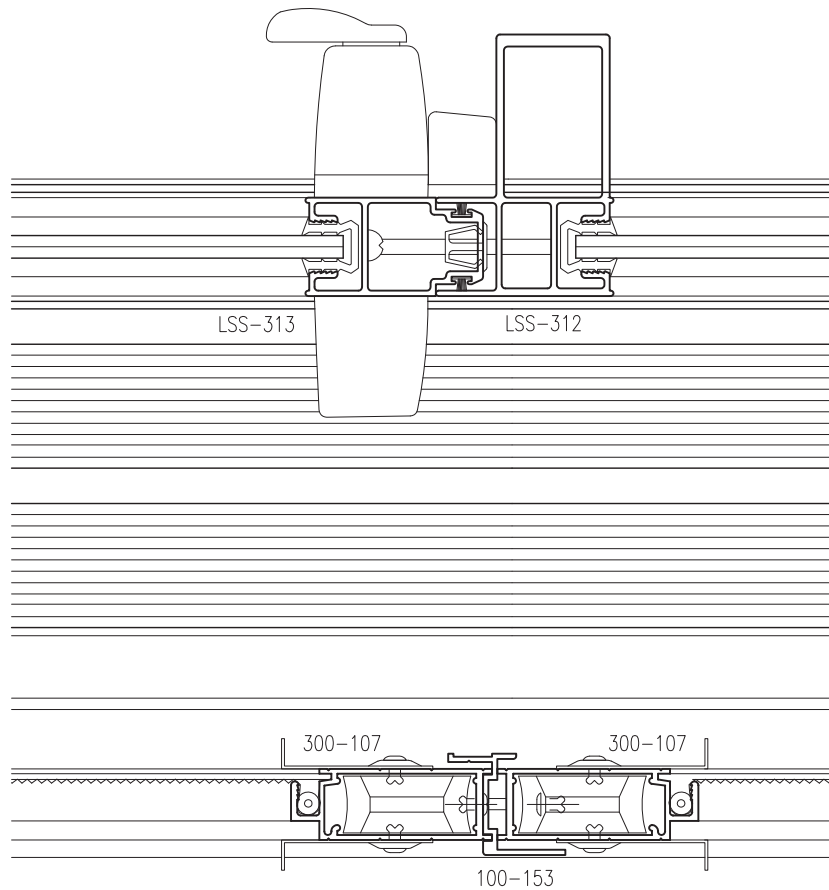
Typical Configurations



Typical Configurations

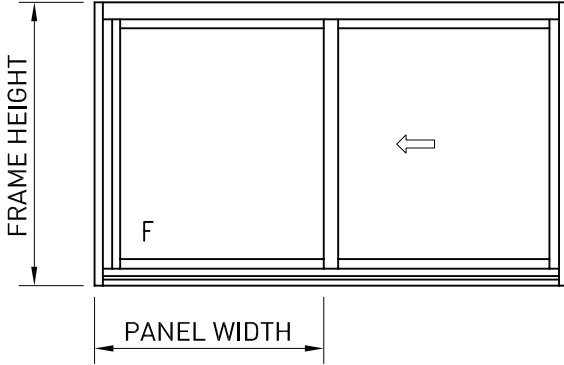


Typical Configurations



7

Loading Tables



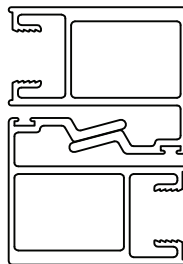
The following calculations are based on theoretical section properties, not on approved tests as specified by AS2047. The Design Wind Pressure is used to calculate the theoretical maximum panel size and does not account for Water Penetration. For more detailed information on suitability please contact Lidco directly.

Residential Deflection ratio, K = 180

INTERLOCK TYPE 1 - RESIDENTIAL

Panel Width	400	500	600	700	800	900	1000	1100	1200	1300	1400	1500
Frame Height												
1800	2.2kPa	1.5kPa	1.5kPa	1.0kPa	1.0kPa	1.0kPa	1.0kPa	0.7kPa	0.7kPa	0.7kPa	0.7kPa	0.7kPa
1900	1.5kPa	1.5kPa	1.0kPa	1.0kPa	1.0kPa	0.7kPa	0.7kPa	0.7kPa	0.7kPa	0.7kPa	0.5kPa	0.5kPa
2000	1.5kPa	1.0kPa	1.0kPa	0.7kPa	0.7kPa	0.7kPa	0.7kPa	0.5kPa	0.5kPa	0.5kPa	0.5kPa	0.5kPa
2100	1.0kPa	1.0kPa	0.7kPa	0.7kPa	0.7kPa	0.5kPa	0.5kPa	0.5kPa	0.5kPa	-	-	-
2200	1.0kPa	0.7kPa	0.7kPa	0.7kPa	0.5kPa	0.5kPa	0.5kPa	-	-	-	-	-
2300	1.0kPa	0.7kPa	0.7kPa	0.5kPa	0.5kPa	-	-	-	-	-	-	-
2400	0.7kPa	0.7kPa	0.5kPa	0.5kPa	-	-	-	-	-	-	-	-

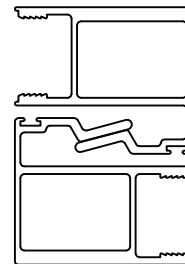
LSS-306



LSS-306

lxx 159.18 x 10³ mm⁴
SINGLE GLAZED

LSS-322



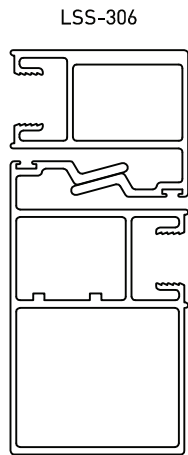
LSS-322

lxx 157.14 x 10³ mm⁴
DOUBLE GLAZED

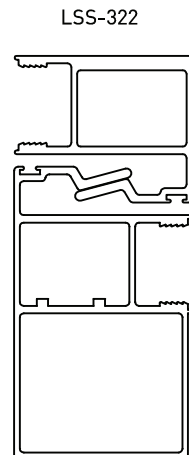
Loading Tables

INTERLOCK TYPE 2 - RESIDENTIAL

Panel Width	400	500	600	700	800	900	1000	1100	1200	1300	1400	1500
Frame Height												
1800	3.0kPa	3.0kPa	3.0kPa	3.0kPa	3.0kPa	3.0kPa	2.2kPa	2.2kPa	2.2kPa	2.2kPa	2.2kPa	2.2kPa
1900	3.0kPa	3.0kPa	3.0kPa	3.0kPa	2.2kPa	2.2kPa	2.2kPa	2.2kPa	1.5kPa	1.5kPa	1.5kPa	1.5kPa
2000	3.0kPa	3.0kPa	3.0kPa	2.2kPa	2.2kPa	2.2kPa	1.5kPa	1.5kPa	1.5kPa	1.5kPa	1.5kPa	1.5kPa
2100	3.0kPa	3.0kPa	2.2kPa	2.2kPa	1.5kPa	1.5kPa	1.5kPa	1.5kPa	1.5kPa	1.0kPa	1.0kPa	1.0kPa
2200	3.0kPa	2.2kPa	2.2kPa	1.5kPa	1.5kPa	1.5kPa	1.5kPa	1.0kPa	1.0kPa	1.0kPa	1.0kPa	1.0kPa
2300	3.0kPa	2.2kPa	1.5kPa	1.5kPa	1.5kPa	1.0kPa	1.0kPa	1.0kPa	1.0kPa	1.0kPa	1.0kPa	0.7kPa
2400	2.2kPa	1.5kPa	1.5kPa	1.5kPa	1.0kPa	1.0kPa	1.0kPa	1.0kPa	0.7kPa	0.7kPa	0.7kPa	0.7kPa



LSS-311
 1xx 457.16 x10³ mm⁴
 SINGLE GLAZED

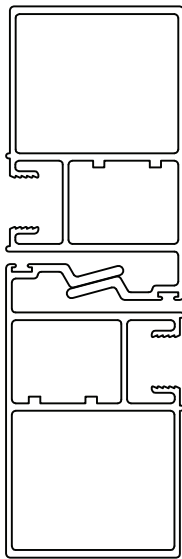


LSS-343
 1xx 457.00 x10³ mm⁴
 DOUBLE GLAZED

Loading Tables
INTERLOCK TYPE 3 - RESIDENTIAL

Panel Width	400	500	600	700	800	900	1000	1100	1200	1300	1400	1500
Frame Height												
1800	3.0kPa	3.0kPa	3.0kPa	3.0kPa	3.0kPa	3.0kPa	3.0kPa	3.0kPa	3.0kPa	3.0kPa	3.0kPa	3.0kPa
1900	3.0kPa	3.0kPa	3.0kPa	3.0kPa	3.0kPa	3.0kPa	3.0kPa	3.0kPa	3.0kPa	3.0kPa	3.0kPa	3.0kPa
2000	3.0kPa	3.0kPa	3.0kPa	3.0kPa	3.0kPa	3.0kPa	3.0kPa	3.0kPa	2.2kPa	2.2kPa	2.2kPa	2.2kPa
2100	3.0kPa	3.0kPa	3.0kPa	3.0kPa	3.0kPa	3.0kPa	2.2kPa	2.2kPa	2.2kPa	2.2kPa	2.2kPa	2.2kPa
2200	3.0kPa	3.0kPa	3.0kPa	3.0kPa	3.0kPa	2.2kPa	2.2kPa	2.2kPa	1.5kPa	1.5kPa	1.5kPa	1.5kPa
2300	3.0kPa	3.0kPa	3.0kPa	2.2kPa	2.2kPa	2.2kPa	1.5kPa	1.5kPa	1.5kPa	1.5kPa	1.5kPa	1.5kPa
2400	3.0kPa	3.0kPa	2.2kPa	2.2kPa	2.2kPa	1.5kPa	1.5kPa	1.5kPa	1.5kPa	1.5kPa	1.0kPa	1.0kPa

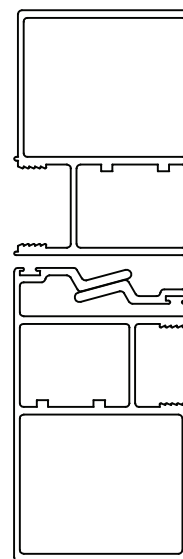
LSS-311



LSS-311

I_{xx} 755.14 x10³ mm⁴
SINGLE GLAZED

LSS-343



LSS-343

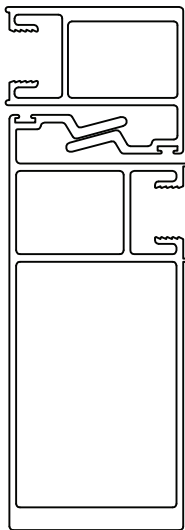
I_{xx} 757.80 x10³ mm⁴
DOUBLE GLAZED

Loading Tables

INTERLOCK TYPE 4 - RESIDENTIAL

Panel Width	400	500	600	700	800	900	1000	1100	1200	1300	1400	1500
Frame Height												
1800	3.0kPa	3.0kPa	3.0kPa	3.0kPa	3.0kPa	3.0kPa	3.0kPa	3.0kPa	3.0kPa	3.0kPa	3.0kPa	3.0kPa
1900	3.0kPa	3.0kPa	3.0kPa	3.0kPa	3.0kPa	3.0kPa	3.0kPa	3.0kPa	3.0kPa	3.0kPa	3.0kPa	3.0kPa
2000	3.0kPa	3.0kPa	3.0kPa	3.0kPa	3.0kPa	3.0kPa	3.0kPa	3.0kPa	3.0kPa	3.0kPa	3.0kPa	3.0kPa
2100	3.0kPa	3.0kPa	3.0kPa	3.0kPa	3.0kPa	3.0kPa	3.0kPa	3.0kPa	3.0kPa	3.0kPa	3.0kPa	3.0kPa
2200	3.0kPa	3.0kPa	3.0kPa	3.0kPa	3.0kPa	3.0kPa	3.0kPa	3.0kPa	3.0kPa	3.0kPa	3.0kPa	3.0kPa
2300	3.0kPa	3.0kPa	3.0kPa	3.0kPa	3.0kPa	3.0kPa	3.0kPa	3.0kPa	3.0kPa	3.0kPa	3.0kPa	3.0kPa
2400	3.0kPa	3.0kPa	3.0kPa	3.0kPa	3.0kPa	3.0kPa	3.0kPa	3.0kPa	3.0kPa	3.0kPa	2.2kPa	2.2kPa

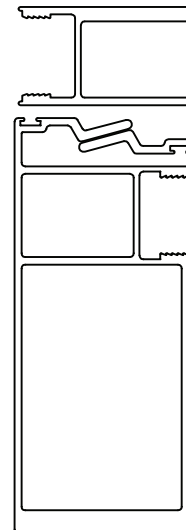
LSS-306



LSS-336

Ixx 1493.53 x10³ mm⁴
SINGLE GLAZED

LSS-322



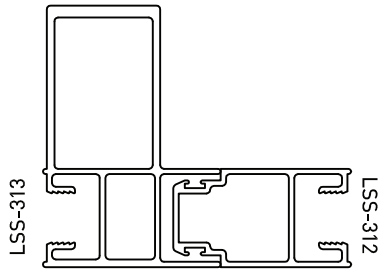
LSS-365

Ixx 1449.20 x10³ mm⁴
DOUBLE GLAZED

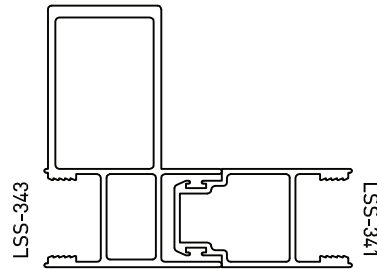
Loading Tables

BIPART INTERLOCK TYPE 1 - RESIDENTIAL

Panel Width	400	500	600	700	800	900	1000	1100	1200	1300	1400	1500
Frame Height												
1800	3.0kPa	3.0kPa	2.2kPa	2.2kPa	1.5kPa	1.5kPa	1.5kPa	1.5kPa	1.5kPa	1.5kPa	1.5kPa	1.0kPa
1900	3.0kPa	2.2kPa	2.2kPa	1.5kPa	1.5kPa	1.5kPa	1.5kPa	1.0kPa	1.0kPa	1.0kPa	1.0kPa	1.0kPa
2000	2.2kPa	2.2kPa	1.5kPa	1.5kPa	1.5kPa	1.0kPa	1.0kPa	1.0kPa	1.0kPa	1.0kPa	1.0kPa	0.7kPa
2100	2.2kPa	1.5kPa	1.5kPa	1.0kPa	1.0kPa	1.0kPa	1.0kPa	1.0kPa	0.7kPa	0.7kPa	0.7kPa	0.7kPa
2200	1.5kPa	1.5kPa	1.0kPa	1.0kPa	1.0kPa	1.0kPa	0.7kPa	0.7kPa	0.7kPa	0.7kPa	0.7kPa	0.7kPa
2300	1.5kPa	1.5kPa	1.0kPa	1.0kPa	0.7kPa	0.7kPa	0.7kPa	0.7kPa	0.7kPa	0.5kPa	0.5kPa	0.5kPa
2400	1.5kPa	1.0kPa	1.0kPa	0.7kPa	0.7kPa	0.7kPa	0.7kPa	0.5kPa	0.5kPa	0.5kPa	0.5kPa	0.5kPa



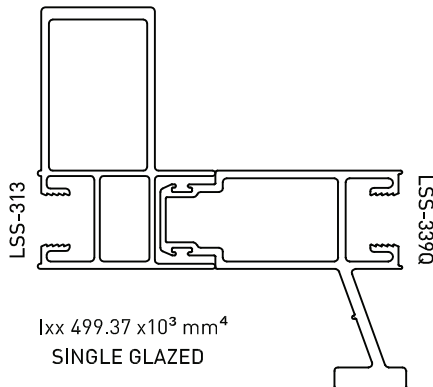
Ixx 317.75 x10³ mm⁴
SINGLE GLAZED



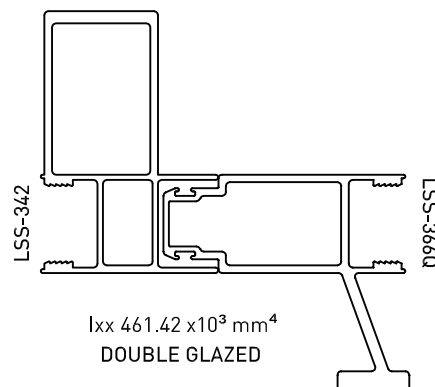
Ixx 288.00 x10³ mm⁴
DOUBLE GLAZED

BIPART INTERLOCK TYPE 2 - RESIDENTIAL

Panel Width	400	500	600	700	800	900	1000	1100	1200	1300	1400	1500
Frame Height												
1800	3.0kPa	3.0kPa	3.0kPa	3.0kPa	3.0kPa	3.0kPa	2.2kPa	2.2kPa	2.2kPa	2.2kPa	2.2kPa	2.2kPa
1900	3.0kPa	3.0kPa	3.0kPa	3.0kPa	2.2kPa	2.2kPa	2.2kPa	2.2kPa	1.5kPa	1.5kPa	1.5kPa	1.5kPa
2000	3.0kPa	3.0kPa	3.0kPa	2.2kPa	2.2kPa	2.2kPa	1.5kPa	1.5kPa	1.5kPa	1.5kPa	1.5kPa	1.5kPa
2100	3.0kPa	3.0kPa	2.2kPa	2.2kPa	1.5kPa	1.5kPa	1.5kPa	1.5kPa	1.5kPa	1.5kPa	1.5kPa	1.5kPa
2200	3.0kPa	2.2kPa	2.2kPa	1.5kPa	1.5kPa	1.5kPa	1.5kPa	1.0kPa	1.0kPa	1.0kPa	1.0kPa	1.0kPa
2300	3.0kPa	2.2kPa	1.5kPa	1.5kPa	1.5kPa	1.0kPa	1.0kPa	1.0kPa	1.0kPa	1.0kPa	1.0kPa	0.7kPa
2400	2.2kPa	1.5kPa	1.5kPa	1.5kPa	1.0kPa	1.0kPa	1.0kPa	1.0kPa	0.7kPa	0.7kPa	0.7kPa	0.7kPa



Ixx 499.37 x10³ mm⁴
SINGLE GLAZED

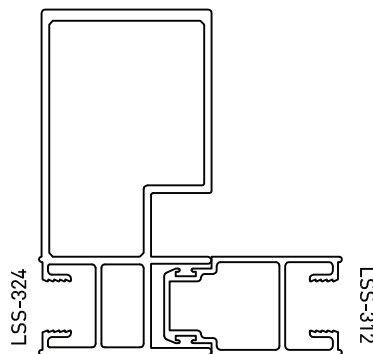


Ixx 461.42 x10³ mm⁴
DOUBLE GLAZED

Loading Tables

BIPART INTERLOCK TYPE 3 - RESIDENTIAL (ONLY AVAILABLE FOR SINGLE GLAZED)

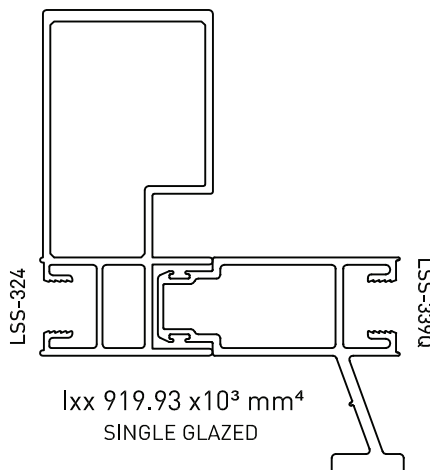
Panel Width	400	500	600	700	800	900	1000	1100	1200	1300	1400	1500
Frame Height												
1800	3.0kPa	3.0kPa	3.0kPa	3.0kPa	3.0kPa	3.0kPa	3.0kPa	3.0kPa	3.0kPa	3.0kPa	3.0kPa	3.0kPa
1900	3.0kPa	3.0kPa	3.0kPa	3.0kPa	3.0kPa	3.0kPa	3.0kPa	3.0kPa	3.0kPa	3.0kPa	3.0kPa	3.0kPa
2000	3.0kPa	3.0kPa	3.0kPa	3.0kPa	3.0kPa	3.0kPa	3.0kPa	3.0kPa	2.2kPa	2.2kPa	2.2kPa	2.2kPa
2100	3.0kPa	3.0kPa	3.0kPa	3.0kPa	3.0kPa	3.0kPa	2.2kPa	2.2kPa	2.2kPa	2.2kPa	2.2kPa	1.5kPa
2200	3.0kPa	3.0kPa	3.0kPa	3.0kPa	2.2kPa	2.2kPa	2.2kPa	2.2kPa	1.5kPa	1.5kPa	1.5kPa	1.5kPa
2300	3.0kPa	3.0kPa	3.0kPa	2.2kPa	2.2kPa	2.2kPa	1.5kPa	1.5kPa	1.5kPa	1.5kPa	1.5kPa	1.5kPa
2400	3.0kPa	3.0kPa	2.2kPa	2.2kPa	2.2kPa	1.5kPa	1.5kPa	1.5kPa	1.5kPa	1.0kPa	1.0kPa	1.0kPa



Ixx 738.31 x10³ mm⁴
SINGLE GLAZED

BIPART INTERLOCK TYPE 4 - RESIDENTIAL (ONLY AVAILABLE FOR SINGLE GLAZED)

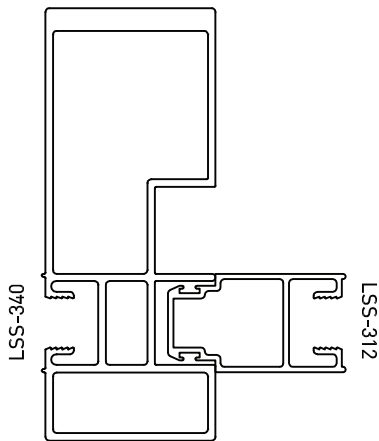
Panel Width	400	500	600	700	800	900	1000	1100	1200	1300	1400	1500
Frame Height												
1800	3.0kPa	3.0kPa	3.0kPa	3.0kPa	3.0kPa	3.0kPa	3.0kPa	3.0kPa	3.0kPa	3.0kPa	3.0kPa	3.0kPa
1900	3.0kPa	3.0kPa	3.0kPa	3.0kPa	3.0kPa	3.0kPa	3.0kPa	3.0kPa	3.0kPa	3.0kPa	3.0kPa	3.0kPa
2000	3.0kPa	3.0kPa	3.0kPa	3.0kPa	3.0kPa	3.0kPa	3.0kPa	3.0kPa	3.0kPa	3.0kPa	3.0kPa	3.0kPa
2100	3.0kPa	3.0kPa	3.0kPa	3.0kPa	3.0kPa	3.0kPa	3.0kPa	3.0kPa	3.0kPa	2.2kPa	2.2kPa	2.2kPa
2200	3.0kPa	3.0kPa	3.0kPa	3.0kPa	3.0kPa	3.0kPa	3.0kPa	2.2kPa	2.2kPa	2.2kPa	2.2kPa	2.2kPa
2300	3.0kPa	3.0kPa	3.0kPa	3.0kPa	3.0kPa	2.2kPa	2.2kPa	2.2kPa	2.2kPa	1.5kPa	1.5kPa	1.5kPa
2400	3.0kPa	3.0kPa	3.0kPa	3.0kPa	2.2kPa	2.2kPa	2.2kPa	1.5kPa	1.5kPa	1.5kPa	1.5kPa	1.5kPa



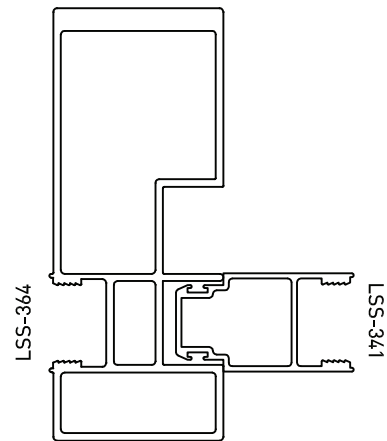
Ixx 919.93 x10³ mm⁴
SINGLE GLAZED

Loading Tables
BIPART INTERLOCK TYPE 5 - RESIDENTIAL

Panel Width	400	500	600	700	800	900	1000	1100	1200	1300	1400	1500
Frame Height												
1800	3.0kPa	3.0kPa	3.0kPa	3.0kPa	3.0kPa	3.0kPa	3.0kPa	3.0kPa	3.0kPa	3.0kPa	3.0kPa	3.0kPa
1900	3.0kPa	3.0kPa	3.0kPa	3.0kPa	3.0kPa	3.0kPa	3.0kPa	3.0kPa	3.0kPa	3.0kPa	3.0kPa	3.0kPa
2000	3.0kPa	3.0kPa	3.0kPa	3.0kPa	3.0kPa	3.0kPa	3.0kPa	3.0kPa	3.0kPa	3.0kPa	3.0kPa	3.0kPa
2100	3.0kPa	3.0kPa	3.0kPa	3.0kPa	3.0kPa	3.0kPa	3.0kPa	3.0kPa	3.0kPa	3.0kPa	3.0kPa	3.0kPa
2200	3.0kPa	3.0kPa	3.0kPa	3.0kPa	3.0kPa	3.0kPa	3.0kPa	3.0kPa	3.0kPa	3.0kPa	3.0kPa	3.0kPa
2300	3.0kPa	3.0kPa	3.0kPa	3.0kPa	3.0kPa	3.0kPa	3.0kPa	3.0kPa	3.0kPa	3.0kPa	3.0kPa	3.0kPa
2400	3.0kPa	3.0kPa	3.0kPa	3.0kPa	3.0kPa	3.0kPa	3.0kPa	3.0kPa	3.0kPa	3.0kPa	3.0kPa	2.2kPa



$I_{xx} 1653.1 \times 10^3 \text{ mm}^4$
 SINGLE GLAZED

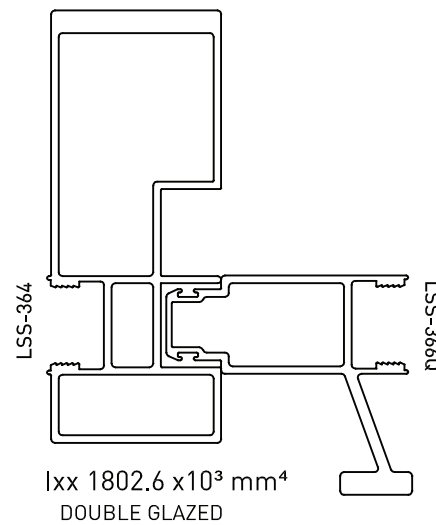
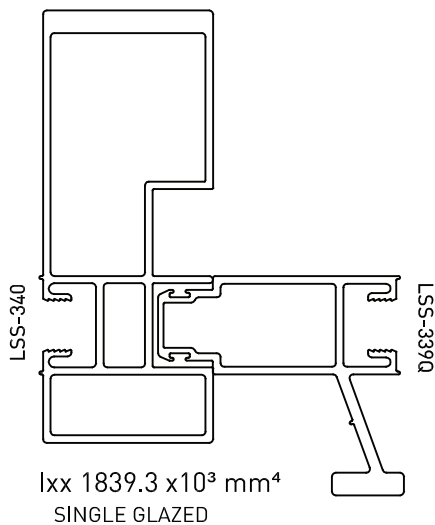


$I_{xx} 1630.3 \times 10^3 \text{ mm}^4$
 DOUBLE GLAZED

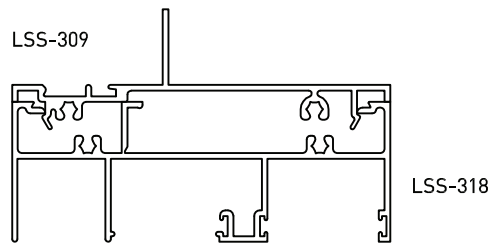
Loading Tables

BIPART INTERLOCK TYPE 6 - RESIDENTIAL

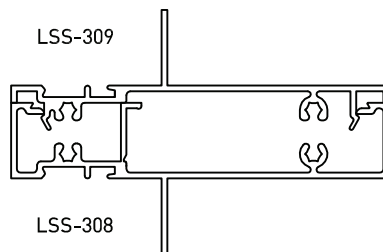
Panel Width	400	500	600	700	800	900	1000	1100	1200	1300	1400	1500
Frame Height												
1800	3.0kPa	3.0kPa	3.0kPa	3.0kPa	3.0kPa	3.0kPa	3.0kPa	3.0kPa	3.0kPa	3.0kPa	3.0kPa	3.0kPa
1900	3.0kPa	3.0kPa	3.0kPa	3.0kPa	3.0kPa	3.0kPa	3.0kPa	3.0kPa	3.0kPa	3.0kPa	3.0kPa	3.0kPa
2000	3.0kPa	3.0kPa	3.0kPa	3.0kPa	3.0kPa	3.0kPa	3.0kPa	3.0kPa	3.0kPa	3.0kPa	3.0kPa	3.0kPa
2100	3.0kPa	3.0kPa	3.0kPa	3.0kPa	3.0kPa	3.0kPa	3.0kPa	3.0kPa	3.0kPa	3.0kPa	3.0kPa	3.0kPa
2200	3.0kPa	3.0kPa	3.0kPa	3.0kPa	3.0kPa	3.0kPa	3.0kPa	3.0kPa	3.0kPa	3.0kPa	3.0kPa	3.0kPa
2300	3.0kPa	3.0kPa	3.0kPa	3.0kPa	3.0kPa	3.0kPa	3.0kPa	3.0kPa	3.0kPa	3.0kPa	3.0kPa	3.0kPa
2400	3.0kPa	3.0kPa	3.0kPa	3.0kPa	3.0kPa	3.0kPa	3.0kPa	3.0kPa	3.0kPa	3.0kPa	3.0kPa	3.0kPa



Loading Tables



Ixx 746.64 x10³ mm⁴



Ixx 641.15 x10³ mm⁴

Test Results

130 LIFESTYLE sliding door - X0 - single glazed 6.38mm

Serviceability load	+/- 0.9 kPa
Ultimate load	+/- 1.35 kPa
Water penetration	180 Pa
Air infiltration @75Pa	+ 2.596 l/s/m ² - 2.876 l/s/m ²
Operating force (initiating)	46.3 N
Operating force (maintaining)	16.0 N
Test sample size	2.04m high x 1.8m wide
Test report number	NSW 477-90180

130 LIFESTYLE stacking door - OOX - single glazed 6.38mm

Serviceability load	+/- 1.50 kPa
Ultimate load	+/- 2.250 kPa
Water penetration	300 Pa
Air infiltration @75Pa	+ 0.868 l/s/m ² - 0.811 l/s/m ²
Operating force (initiating)	25.40 N
Operating force (maintaining)	16.95 N
Test sample size	2.160m high x 3.540m wide
Test report number	NSW 970-901449