



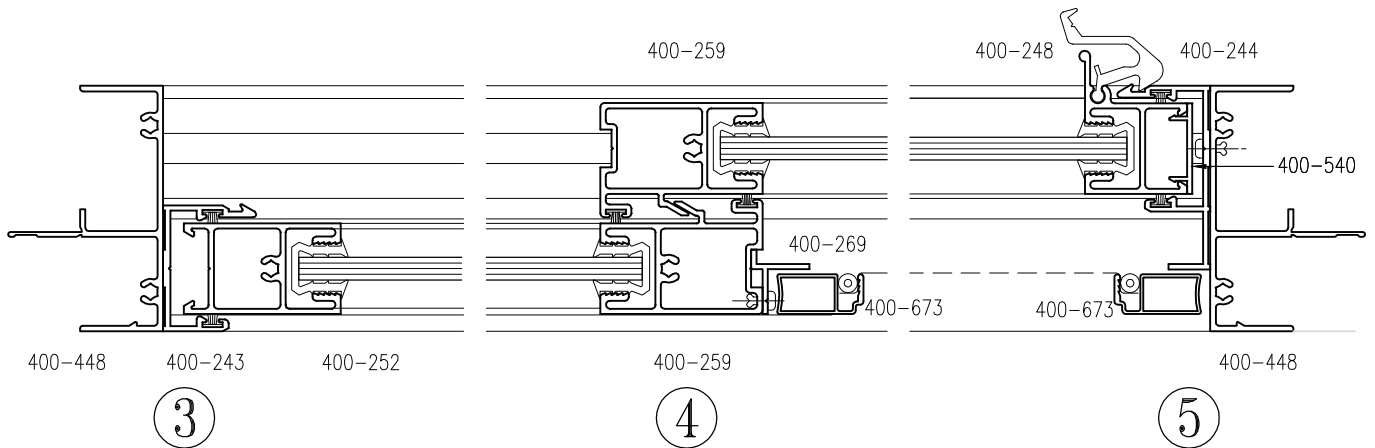
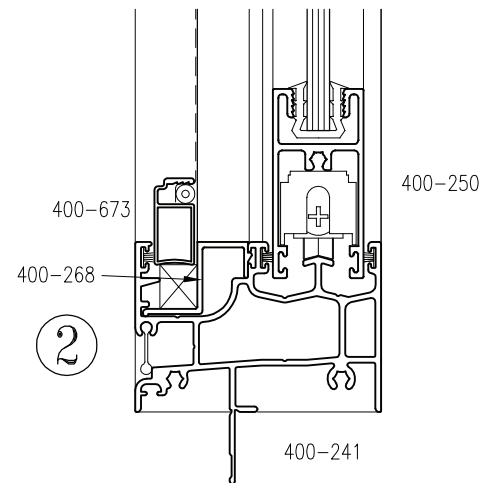
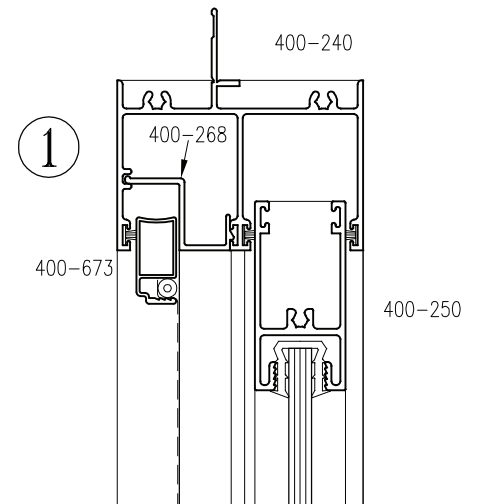
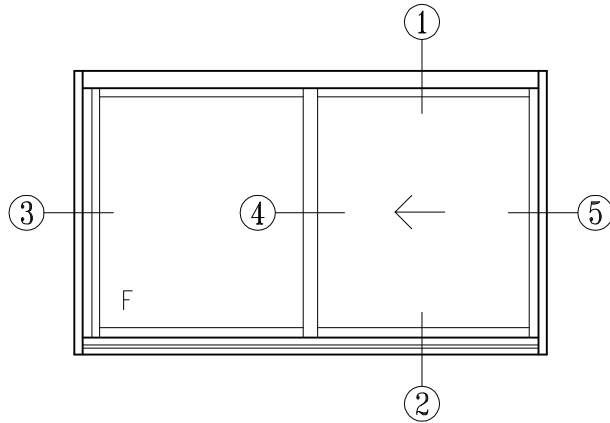
DESIGNER RANGE 422 SYSTEM

Thermaview™ Sliding Window

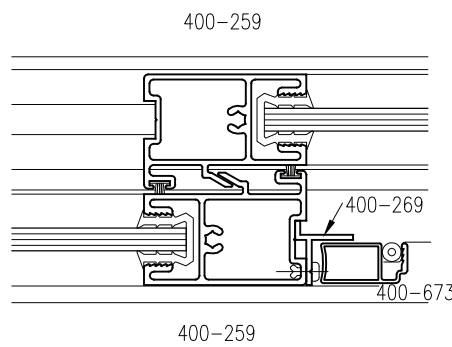
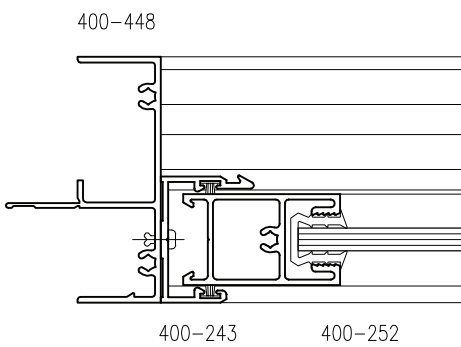
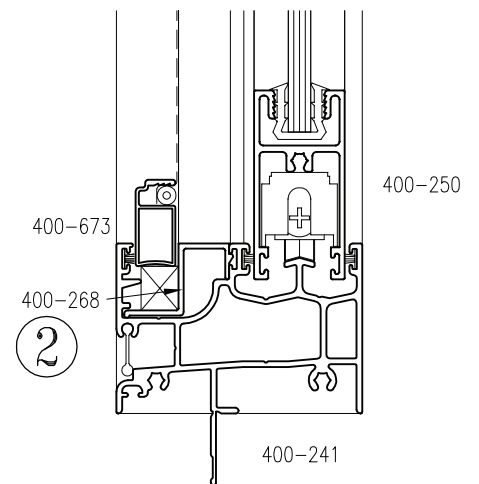
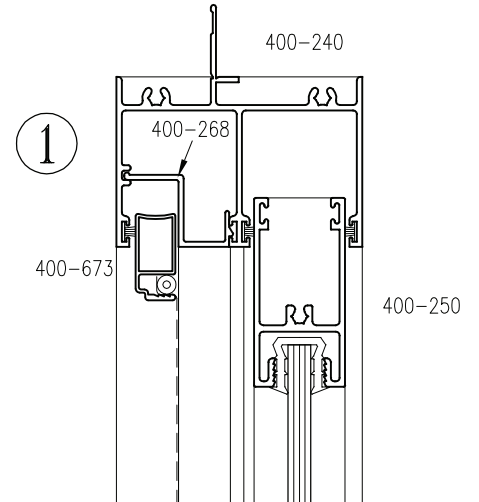
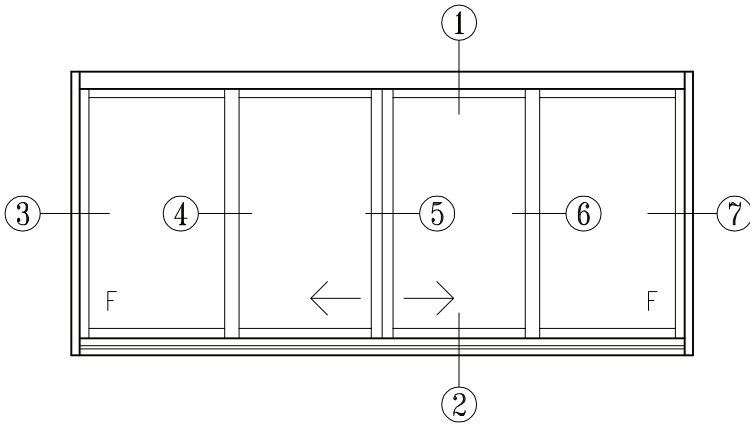
Specifier Guide

The Lidco Specifier's Guide contains technical information, maximum permissible sizes, typical configurations, energy ratings and key design features and benefits.



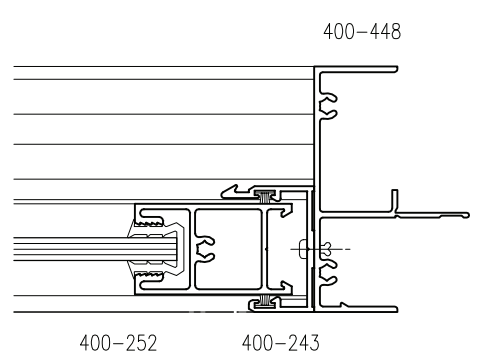
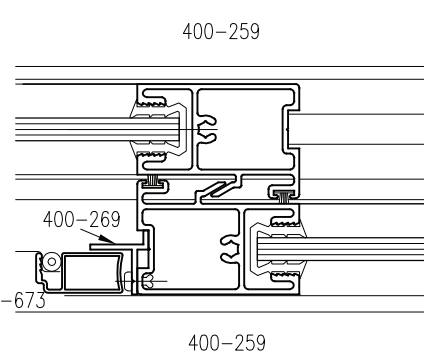
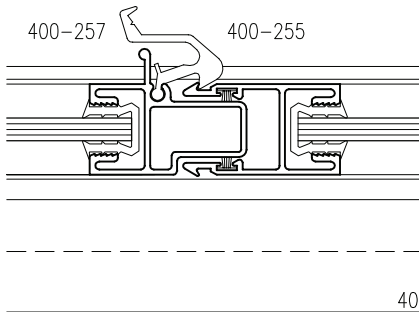
Typical Configurations


Typical Configurations



3

4

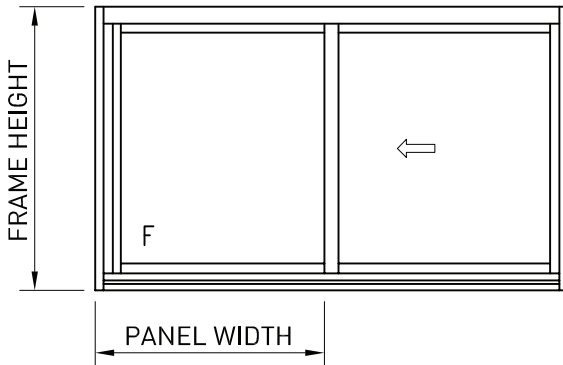


5

6

7

Loading Tables



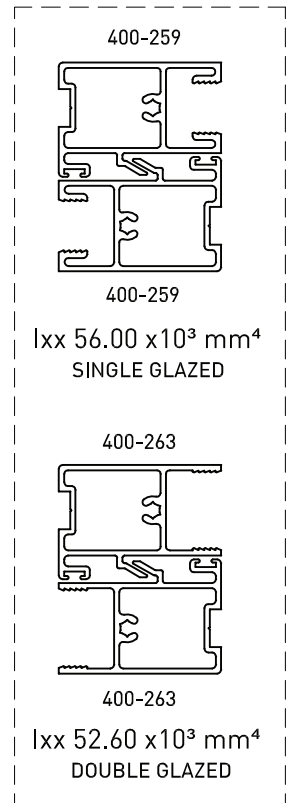
The following calculations are based on theoretical section properties, not on approved tests as specified by AS2047. The Design Wind Pressure is used to calculate the theoretical maximum panel size and does not account for Water Penetration. For more detailed information on suitability please contact Lidco directly.

Residential Deflection ratio, K = 180
Commercial Deflection ratio, K = 250

INTERLOCK TYPE 1 - RESIDENTIAL

Panel Width	500	600	700	800	900	1000	1100	1200	1300	1400
Frame Height										
500	3.0kPa	3.0kPa	3.0kPa	3.0kPa	3.0kPa	3.0kPa	3.0kPa	3.0kPa	3.0kPa	3.0kPa
600	3.0kPa	3.0kPa	3.0kPa	3.0kPa	3.0kPa	3.0kPa	3.0kPa	3.0kPa	3.0kPa	3.0kPa
700	3.0kPa	3.0kPa	3.0kPa	3.0kPa	3.0kPa	3.0kPa	3.0kPa	3.0kPa	3.0kPa	3.0kPa
800	3.0kPa	3.0kPa	3.0kPa	3.0kPa	3.0kPa	3.0kPa	3.0kPa	3.0kPa	3.0kPa	3.0kPa
900	3.0kPa	3.0kPa	3.0kPa	3.0kPa	3.0kPa	3.0kPa	3.0kPa	3.0kPa	3.0kPa	2.2kPa
1000	3.0kPa	3.0kPa	3.0kPa	3.0kPa	3.0kPa	2.2kPa	2.2kPa	2.2kPa	2.2kPa	1.5kPa
1100	3.0kPa	2.2kPa	2.2kPa	2.2kPa	1.5kPa	1.5kPa	1.5kPa	1.5kPa	1.5kPa	1.5kPa
1200	2.2kPa	1.5kPa	1.5kPa	1.5kPa	1.5kPa	1.0kPa	1.0kPa	1.0kPa	1.0kPa	1.0kPa
1300	1.5kPa	1.0kPa	1.0kPa	1.0kPa	1.0kPa	1.0kPa	1.0kPa	1.0kPa	0.7kPa	0.7kPa
1400	1.0kPa	1.0kPa	1.0kPa	0.7kPa	0.7kPa	0.7kPa	0.7kPa	0.7kPa	0.7kPa	0.7kPa
1500	1.0kPa	0.7kPa	0.7kPa	0.7kPa	0.5kPa	0.5kPa	0.5kPa	0.5kPa	0.5kPa	0.5kPa
1600	0.7kPa	0.7kPa	0.5kPa	0.5kPa	0.5kPa	0.5kPa	-	-	-	-
1700	0.7kPa	0.5kPa	0.5kPa	-	-	-	-	-	-	-
1800	0.5kPa	0.5kPa	-	-	-	-	-	-	-	-

INTERLOCK TYPE 1



INTERLOCK TYPE 1 - COMMERCIAL

Panel Width	500	600	700	800	900	1000	1100	1200	1300	1400
Frame Height										
500	3.0kPa	3.0kPa	3.0kPa	3.0kPa	3.0kPa	3.0kPa	3.0kPa	3.0kPa	3.0kPa	3.0kPa
600	3.0kPa	3.0kPa	3.0kPa	3.0kPa	3.0kPa	3.0kPa	3.0kPa	3.0kPa	3.0kPa	3.0kPa
700	3.0kPa	3.0kPa	3.0kPa	3.0kPa	3.0kPa	3.0kPa	3.0kPa	3.0kPa	3.0kPa	3.0kPa
800	3.0kPa	3.0kPa	3.0kPa	3.0kPa	3.0kPa	3.0kPa	3.0kPa	3.0kPa	3.0kPa	3.0kPa
900	3.0kPa	3.0kPa	3.0kPa	3.0kPa	3.0kPa	2.2kPa	2.2kPa	2.2kPa	2.2kPa	1.5kPa
1000	3.0kPa	2.2kPa	2.2kPa	2.2kPa	2.2kPa	1.5kPa	1.5kPa	1.5kPa	1.5kPa	1.0kPa
1100	1.5kPa	1.5kPa	1.5kPa	1.5kPa	1.5kPa	1.0kPa	1.0kPa	1.0kPa	1.0kPa	1.0kPa
1200	1.5kPa	1.0kPa	1.0kPa	1.0kPa	1.0kPa	1.0kPa	1.0kPa	0.7kPa	0.7kPa	0.7kPa
1300	1.0kPa	1.0kPa	0.7kPa	0.7kPa	0.7kPa	0.7kPa	0.7kPa	0.7kPa	0.7kPa	0.5kPa
1400	0.7kPa	0.7kPa	0.7kPa	0.5kPa	0.5kPa	0.5kPa	0.5kPa	0.5kPa	0.5kPa	0.5kPa
1500	0.7kPa	0.5kPa	0.5kPa	0.5kPa	-	-	-	-	-	-
1600	0.5kPa	0.5kPa	-	-	-	-	-	-	-	-
1700	0.5kPa	-	-	-	-	-	-	-	-	-
1800	-	-	-	-	-	-	-	-	-	-

Loading Tables

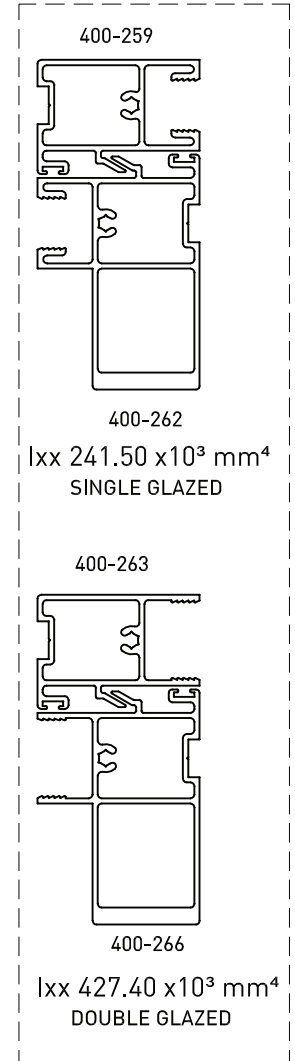
INTERLOCK TYPE 2 - RESIDENTIAL

Panel Width	500	600	700	800	900	1000	1100	1200	1300	1400
Frame Height										
500	3.0kPa	3.0kPa	3.0kPa	3.0kPa	3.0kPa	3.0kPa	3.0kPa	3.0kPa	3.0kPa	3.0kPa
600	3.0kPa	3.0kPa	3.0kPa	3.0kPa	3.0kPa	3.0kPa	3.0kPa	3.0kPa	3.0kPa	3.0kPa
700	3.0kPa	3.0kPa	3.0kPa	3.0kPa	3.0kPa	3.0kPa	3.0kPa	3.0kPa	3.0kPa	3.0kPa
800	3.0kPa	3.0kPa	3.0kPa	3.0kPa	3.0kPa	3.0kPa	3.0kPa	3.0kPa	3.0kPa	3.0kPa
900	3.0kPa	3.0kPa	3.0kPa	3.0kPa	3.0kPa	3.0kPa	3.0kPa	3.0kPa	3.0kPa	3.0kPa
1000	3.0kPa	3.0kPa	3.0kPa	3.0kPa	3.0kPa	3.0kPa	3.0kPa	3.0kPa	3.0kPa	3.0kPa
1100	3.0kPa	3.0kPa	3.0kPa	3.0kPa	3.0kPa	3.0kPa	3.0kPa	3.0kPa	3.0kPa	3.0kPa
1200	3.0kPa	3.0kPa	3.0kPa	3.0kPa	3.0kPa	3.0kPa	3.0kPa	3.0kPa	3.0kPa	3.0kPa
1300	3.0kPa	3.0kPa	3.0kPa	3.0kPa	3.0kPa	3.0kPa	3.0kPa	3.0kPa	3.0kPa	3.0kPa
1400	3.0kPa	3.0kPa	3.0kPa	3.0kPa	3.0kPa	3.0kPa	3.0kPa	3.0kPa	3.0kPa	3.0kPa
1500	3.0kPa	3.0kPa	3.0kPa	3.0kPa	2.2kPa	2.2kPa	2.2kPa	2.2kPa	2.2kPa	2.2kPa
1600	3.0kPa	3.0kPa	2.2kPa	2.2kPa	2.2kPa	2.2kPa	1.5kPa	1.5kPa	1.5kPa	1.5kPa
1700	3.0kPa	2.2kPa	2.2kPa	1.5kPa	1.5kPa	1.5kPa	1.5kPa	1.5kPa	1.5kPa	1.5kPa
1800	2.2kPa	2.2kPa	1.5kPa	1.5kPa	1.5kPa	1.0kPa	1.0kPa	1.0kPa	1.0kPa	1.0kPa

INTERLOCK TYPE 2 - COMMERCIAL

Panel Width	500	600	700	800	900	1000	1100	1200	1300	1400
Frame Height										
500	3.0kPa	3.0kPa	3.0kPa	3.0kPa	3.0kPa	3.0kPa	3.0kPa	3.0kPa	3.0kPa	3.0kPa
600	3.0kPa	3.0kPa	3.0kPa	3.0kPa	3.0kPa	3.0kPa	3.0kPa	3.0kPa	3.0kPa	3.0kPa
700	3.0kPa	3.0kPa	3.0kPa	3.0kPa	3.0kPa	3.0kPa	3.0kPa	3.0kPa	3.0kPa	3.0kPa
800	3.0kPa	3.0kPa	3.0kPa	3.0kPa	3.0kPa	3.0kPa	3.0kPa	3.0kPa	3.0kPa	3.0kPa
900	3.0kPa	3.0kPa	3.0kPa	3.0kPa	3.0kPa	3.0kPa	3.0kPa	3.0kPa	3.0kPa	3.0kPa
1000	3.0kPa	3.0kPa	3.0kPa	3.0kPa	3.0kPa	3.0kPa	3.0kPa	3.0kPa	3.0kPa	3.0kPa
1100	3.0kPa	3.0kPa	3.0kPa	3.0kPa	3.0kPa	3.0kPa	3.0kPa	3.0kPa	3.0kPa	3.0kPa
1200	3.0kPa	3.0kPa	3.0kPa	3.0kPa	3.0kPa	3.0kPa	3.0kPa	3.0kPa	3.0kPa	3.0kPa
1300	3.0kPa	3.0kPa	3.0kPa	3.0kPa	3.0kPa	3.0kPa	3.0kPa	3.0kPa	3.0kPa	2.2kPa
1400	3.0kPa	3.0kPa	3.0kPa	2.2kPa	2.2kPa	2.2kPa	2.2kPa	2.2kPa	2.2kPa	2.2kPa
1500	3.0kPa	2.2kPa	2.2kPa	2.2kPa	1.5kPa	1.5kPa	1.5kPa	1.5kPa	1.5kPa	1.5kPa
1600	2.2kPa	2.2kPa	1.5kPa	1.5kPa	1.5kPa	1.5kPa	1.5kPa	1.0kPa	1.0kPa	1.0kPa
1700	2.2kPa	1.5kPa	1.5kPa	1.5kPa	1.0kPa	1.0kPa	1.0kPa	1.0kPa	1.0kPa	1.0kPa
1800	1.5kPa	1.5kPa	1.0kPa	1.0kPa	1.0kPa	1.0kPa	1.0kPa	0.7kPa	0.7kPa	0.7kPa

INTERLOCK TYPE 2

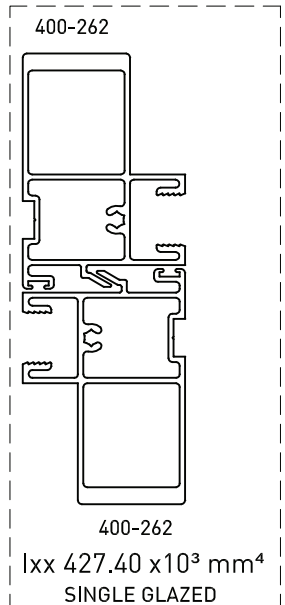


Loading Tables

INTERLOCK TYPE 3 - RESIDENTIAL

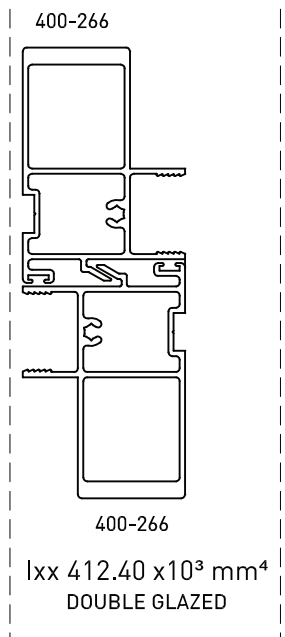
Panel Width	500	600	700	800	900	1000	1100	1200	1300	1400
Frame Height										
500	3.0kPa	3.0kPa	3.0kPa	3.0kPa	3.0kPa	3.0kPa	3.0kPa	3.0kPa	3.0kPa	3.0kPa
600	3.0kPa	3.0kPa	3.0kPa	3.0kPa	3.0kPa	3.0kPa	3.0kPa	3.0kPa	3.0kPa	3.0kPa
700	3.0kPa	3.0kPa	3.0kPa	3.0kPa	3.0kPa	3.0kPa	3.0kPa	3.0kPa	3.0kPa	3.0kPa
800	3.0kPa	3.0kPa	3.0kPa	3.0kPa	3.0kPa	3.0kPa	3.0kPa	3.0kPa	3.0kPa	3.0kPa
900	3.0kPa	3.0kPa	3.0kPa	3.0kPa	3.0kPa	3.0kPa	3.0kPa	3.0kPa	3.0kPa	3.0kPa
1000	3.0kPa	3.0kPa	3.0kPa	3.0kPa	3.0kPa	3.0kPa	3.0kPa	3.0kPa	3.0kPa	3.0kPa
1100	3.0kPa	3.0kPa	3.0kPa	3.0kPa	3.0kPa	3.0kPa	3.0kPa	3.0kPa	3.0kPa	3.0kPa
1200	3.0kPa	3.0kPa	3.0kPa	3.0kPa	3.0kPa	3.0kPa	3.0kPa	3.0kPa	3.0kPa	3.0kPa
1300	3.0kPa	3.0kPa	3.0kPa	3.0kPa	3.0kPa	3.0kPa	3.0kPa	3.0kPa	3.0kPa	3.0kPa
1400	3.0kPa	3.0kPa	3.0kPa	3.0kPa	3.0kPa	3.0kPa	3.0kPa	3.0kPa	3.0kPa	3.0kPa
1500	3.0kPa	3.0kPa	3.0kPa	3.0kPa	3.0kPa	3.0kPa	3.0kPa	3.0kPa	3.0kPa	3.0kPa
1600	3.0kPa	3.0kPa	3.0kPa	3.0kPa	3.0kPa	3.0kPa	3.0kPa	3.0kPa	3.0kPa	3.0kPa
1700	3.0kPa	3.0kPa	3.0kPa	3.0kPa	3.0kPa	3.0kPa	3.0kPa	2.2kPa	2.2kPa	2.2kPa
1800	3.0kPa	3.0kPa	3.0kPa	3.0kPa	2.2kPa	2.2kPa	2.2kPa	2.2kPa	2.2kPa	1.5kPa

INTERLOCK TYPE 3



INTERLOCK TYPE 3 - COMMERCIAL

Panel Width	500	600	700	800	900	1000	1100	1200	1300	1400
Frame Height										
500	3.0kPa	3.0kPa	3.0kPa	3.0kPa	3.0kPa	3.0kPa	3.0kPa	3.0kPa	3.0kPa	3.0kPa
600	3.0kPa	3.0kPa	3.0kPa	3.0kPa	3.0kPa	3.0kPa	3.0kPa	3.0kPa	3.0kPa	3.0kPa
700	3.0kPa	3.0kPa	3.0kPa	3.0kPa	3.0kPa	3.0kPa	3.0kPa	3.0kPa	3.0kPa	3.0kPa
800	3.0kPa	3.0kPa	3.0kPa	3.0kPa	3.0kPa	3.0kPa	3.0kPa	3.0kPa	3.0kPa	3.0kPa
900	3.0kPa	3.0kPa	3.0kPa	3.0kPa	3.0kPa	3.0kPa	3.0kPa	3.0kPa	3.0kPa	3.0kPa
1000	3.0kPa	3.0kPa	3.0kPa	3.0kPa	3.0kPa	3.0kPa	3.0kPa	3.0kPa	3.0kPa	3.0kPa
1100	3.0kPa	3.0kPa	3.0kPa	3.0kPa	3.0kPa	3.0kPa	3.0kPa	3.0kPa	3.0kPa	3.0kPa
1200	3.0kPa	3.0kPa	3.0kPa	3.0kPa	3.0kPa	3.0kPa	3.0kPa	3.0kPa	3.0kPa	3.0kPa
1300	3.0kPa	3.0kPa	3.0kPa	3.0kPa	3.0kPa	3.0kPa	3.0kPa	3.0kPa	3.0kPa	3.0kPa
1400	3.0kPa	3.0kPa	3.0kPa	3.0kPa	3.0kPa	3.0kPa	3.0kPa	3.0kPa	3.0kPa	3.0kPa
1500	3.0kPa	3.0kPa	3.0kPa	3.0kPa	3.0kPa	3.0kPa	3.0kPa	3.0kPa	3.0kPa	3.0kPa
1600	3.0kPa	3.0kPa	3.0kPa	3.0kPa	3.0kPa	2.2kPa	2.2kPa	2.2kPa	2.2kPa	2.2kPa
1700	3.0kPa	3.0kPa	3.0kPa	2.2kPa	2.2kPa	2.2kPa	1.5kPa	1.5kPa	1.5kPa	1.5kPa
1800	3.0kPa	2.2kPa	2.2kPa	2.2kPa	1.5kPa	1.5kPa	1.5kPa	1.5kPa	1.5kPa	1.5kPa



Test Results

422 THERMAVIEW sliding window - OX - single glazed - fin seal - with timber reveals

Serviceability load	+/-2.2 kPa
Ultimate load	+/-3.3 kPa
Water penetration	600 Pa
Air infiltration @75Pa	+ 0.37 l/s/m ² - 0.36 l/s/m ²
Operating force (initiating)	21.82 N
Operating force (maintaining)	23.78 N
Test sample size	1.5m high x 1.5m wide
Test report number	QMTL 308-901424

422 THERMAVIEW sliding window - OX - single glazed - woolpile seals - in subhead and sills

Serviceability load	+/-2.2 kPa
Ultimate load	+/-3.3 kPa
Water penetration	450 Pa
Air infiltration @75Pa	+ 0.30 l/s/m ² - 0.70 l/s/m ²
Operating force (initiating)	26 N
Operating force (maintaining)	20 N
Test sample size	1.5m high x 1.5m wide
Test report number	QMTL 306-901424

422 THERMAVIEW sliding window - OX - single glazed - woolpile seals - with timber reveals

Serviceability load	+/-1.0 kPa
Ultimate load	+/-1.5 kPa
Water penetration	300 Pa
Air infiltration @75Pa	+ 0.53 l/s/m ² - 0.69 l/s/m ²
Operating force (initiating)	18 N
Operating force (maintaining)	12 N
Test sample size	1.5m high x 1.5m wide
Test report number	QMTL 308-901424

Test Results
422 THERMAVIEW sliding window - OX/low light - single glazed - woolpile seals with timber reveals

Serviceability load	+/-1.5 kPa
Ultimate load	+/-2.3 kPa
Water penetration	300 Pa
Air infiltration @75Pa	+ 0.51 l/s/m ² - 0.54 l/s/m ²
Operating force (initiating)	40.83 N
Operating force (maintaining)	34.85 N
Test sample size	1.5m high x 1.5m wide sliding window with a 0.6m high x 1.5m low light
Test report number	NSW 928-901430

422 THERMAVIEW sliding window - OXXO - single glazed - woolpile seals - in subhead and sills

Serviceability load	+/- .07 kPa
Ultimate load	+/-1.1 kPa
Water penetration	300 Pa
Air infiltration @75Pa	+ 0.53 l/s/m ² - 0.58 l/s/m ²
Operating force (initiating)	27.87 N
Operating force (maintaining)	20.37 N
Test sample size	1.5m high x 3.0m wide
Test report number	NSW 929-901430

422 THERMAVIEW double sliding window - XX - single glazed - fin seals - with timber reveals

Serviceability load	+/-1.0 kPa
Ultimate load	+/-1.5 kPa
Water penetration	600 Pa
Air infiltration @75Pa	+ 0.35 l/s/m ² - 0.44 l/s/m ²
Operating force (initiating)	56.34 N
Operating force (maintaining)	34.41 N
Test sample size	1.5m high x 1.44m wide
Test report number	QMTL 313-901424

Test Results

422 THERMAVIEW double sliding window - XX - single glazed - fin seals - in subhead and sills

Serviceability load	+/-1.0 kPa
Ultimate load	+/-1.5 kPa
Water penetration	450 Pa
Air infiltration @75Pa	+ 0.47 l/s/m ² - 0.61 l/s/m ²
Operating force (initiating)	56.34 N
Operating force (maintaining)	26.46 N
Test sample size	1.5m high x 1.44m wide
Test report number	QMTL 312-901424

422 THERMAVIEW double sliding window - XX - single glazed - fin seals - in subheads and sills

Serviceability load	+/-1.0 kPa
Ultimate load	+/-1.5 kPa
Water penetration	300 Pa
Air infiltration @75Pa	+ 0.30 l/s/m ² - 0.47 l/s/m ²
Operating force (initiating)	44.87 N
Operating force (maintaining)	28.47 N
Test sample size	1.5m high x 1.4m wide
Test report number	QMTL 311-901424

422 THERMAVIEW sliding window - OX - single glazed - woolpile seals - in subhead and sills

Serviceability load	+/-2.2 kPa
Ultimate load	+/-3.3 kPa
Water penetration	450 Pa
Air infiltration @75Pa	+ 0.31 l/s/m ² - 0.45 l/s/m ²
Operating force (initiating)	28.65 N
Operating force (maintaining)	24.95 N
Test sample size	1.5m high x 1.5m wide
Test report number	NSW 309A-901424