



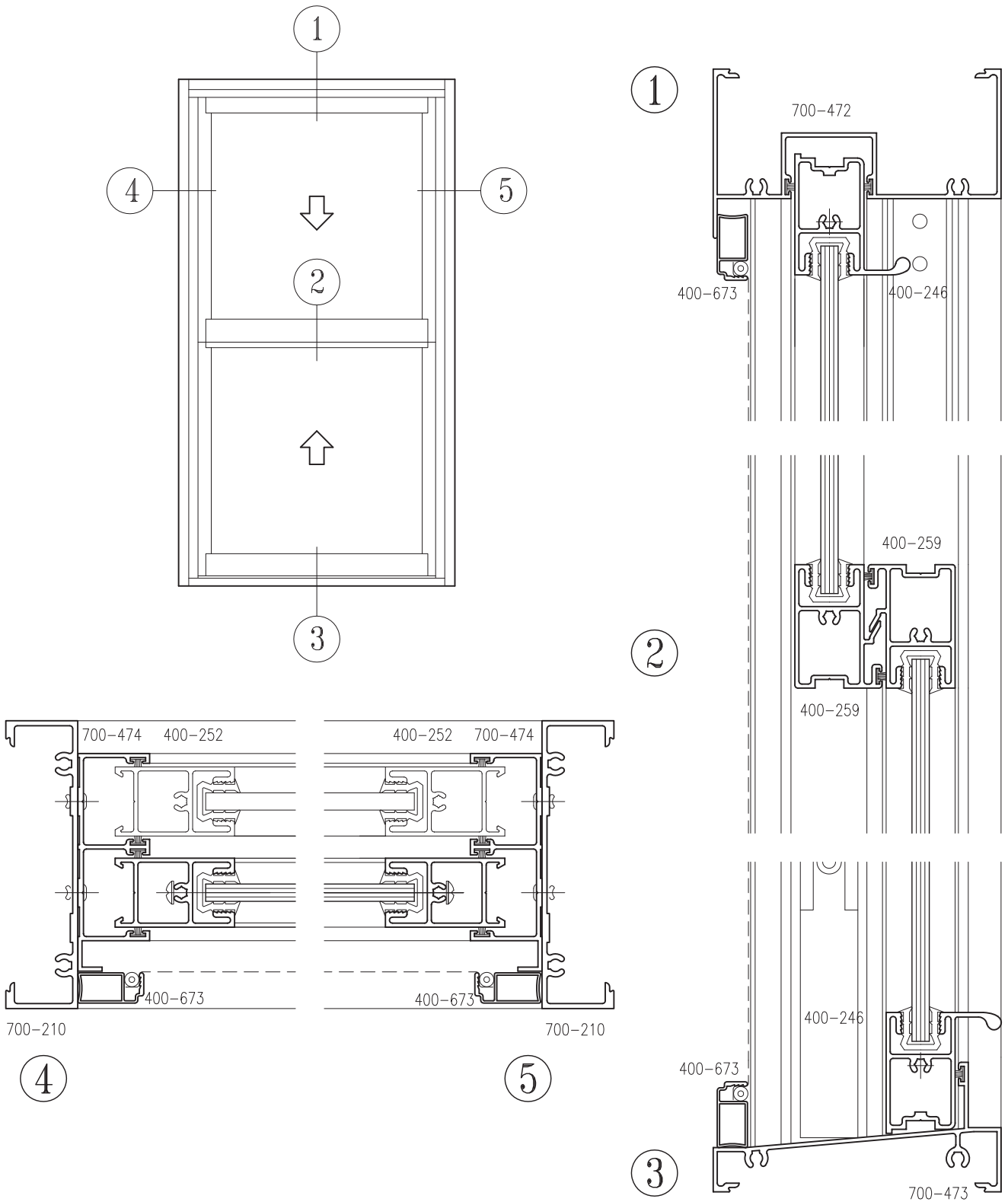
COMMERCIAL RANGE 748 SYSTEM

Pinnacle™ Double Hung Window

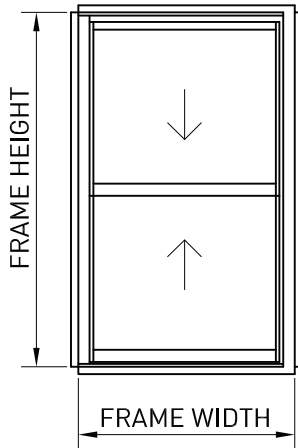
Specifier Guide

The Lidco Specifier's Guide contains technical information, maximum permissible sizes, typical configurations, energy ratings and key design features and benefits.



Typical Configurations


Loading Tables



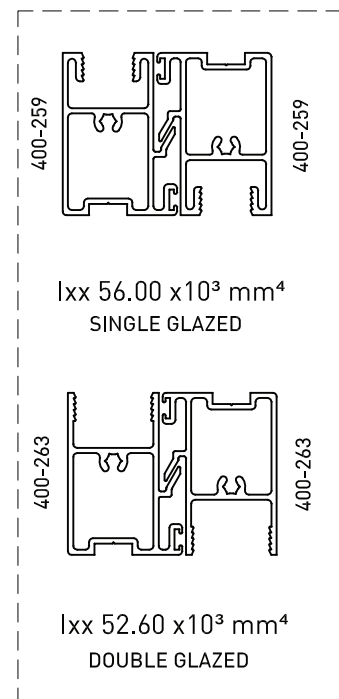
The following calculations are based on theoretical section properties, not on approved tests as specified by AS2047. The Design Wind Pressure is used to calculate the theoretical maximum panel size and does not account for Water Penetration. For more detailed information on suitability please contact Lidco directly.

Residential Deflection ratio, $K = 180$
Commercial Deflection ratio, $K = 250$

INTERLOCK TYPE 1 - RESIDENTIAL

| Frame Width | 900 | 1000 | 1100 | 1200 | 1300 | 1400 | 1500 |
|--------------|--------|--------|--------|--------|--------|--------|--------|
| Frame Height | | | | | | | |
| 1000 | 3.0kPa | 3.0kPa | 2.2kPa | 1.5kPa | 1.5kPa | 1.0kPa | 1.0kPa |
| 1100 | 3.0kPa | 3.0kPa | 2.2kPa | 1.5kPa | 1.5kPa | 1.0kPa | 0.7kPa |
| 1200 | 3.0kPa | 3.0kPa | 2.2kPa | 1.5kPa | 1.0kPa | 1.0kPa | 0.7kPa |
| 1300 | 3.0kPa | 3.0kPa | 2.2kPa | 1.5kPa | 1.0kPa | 1.0kPa | 0.7kPa |
| 1400 | 3.0kPa | 3.0kPa | 2.2kPa | 1.5kPa | 1.0kPa | 1.0kPa | 0.7kPa |
| 1500 | 3.0kPa | 3.0kPa | 2.2kPa | 1.5kPa | 1.0kPa | 0.7kPa | 0.7kPa |
| 1600 | 3.0kPa | 3.0kPa | 1.5kPa | 1.5kPa | 1.0kPa | 0.7kPa | 0.7kPa |
| 1700 | 3.0kPa | 3.0kPa | 1.5kPa | 1.5kPa | 1.0kPa | 0.7kPa | 0.5kPa |
| 1800 | 3.0kPa | 2.2kPa | 1.5kPa | 1.0kPa | 1.0kPa | 0.7kPa | 0.5kPa |
| 1900 | 3.0kPa | 2.2kPa | 1.5kPa | 1.0kPa | 1.0kPa | 0.7kPa | 0.5kPa |
| 2000 | 3.0kPa | 2.2kPa | 1.5kPa | 1.0kPa | 1.0kPa | 0.7kPa | 0.5kPa |
| 2100 | 3.0kPa | 2.2kPa | 1.5kPa | 1.0kPa | 1.0kPa | 0.7kPa | 0.5kPa |
| 2200 | 3.0kPa | 2.2kPa | 1.5kPa | 1.0kPa | 1.0kPa | 0.7kPa | 0.5kPa |
| 2300 | 3.0kPa | 2.2kPa | 1.5kPa | 1.0kPa | 0.7kPa | 0.7kPa | 0.5kPa |

INTERLOCK TYPE 1



INTERLOCK TYPE 1 - COMMERCIAL

| Frame Width | 900 | 1000 | 1100 | 1200 | 1300 | 1400 | 1500 |
|--------------|--------|--------|--------|--------|--------|--------|--------|
| Frame Height | | | | | | | |
| 1000 | 3.0kPa | 2.2kPa | 1.5kPa | 1.5kPa | 1.0kPa | 0.7kPa | 0.7kPa |
| 1100 | 3.0kPa | 2.2kPa | 1.5kPa | 1.0kPa | 1.0kPa | 0.7kPa | 0.7kPa |
| 1200 | 3.0kPa | 2.2kPa | 1.5kPa | 1.0kPa | 1.0kPa | 0.7kPa | 0.5kPa |
| 1300 | 3.0kPa | 2.2kPa | 1.5kPa | 1.0kPa | 0.7kPa | 0.7kPa | 0.5kPa |
| 1400 | 3.0kPa | 2.2kPa | 1.5kPa | 1.0kPa | 0.7kPa | 0.7kPa | 0.5kPa |
| 1500 | 3.0kPa | 2.2kPa | 1.5kPa | 1.0kPa | 0.7kPa | 0.5kPa | 0.5kPa |
| 1600 | 3.0kPa | 2.2kPa | 1.5kPa | 1.0kPa | 0.7kPa | 0.5kPa | 0.5kPa |
| 1700 | 3.0kPa | 1.5kPa | 1.5kPa | 1.0kPa | 0.7kPa | 0.5kPa | - |
| 1800 | 3.0kPa | 1.5kPa | 1.0kPa | 1.0kPa | 0.7kPa | 0.5kPa | - |
| 1900 | 2.2kPa | 1.5kPa | 1.0kPa | 1.0kPa | 0.7kPa | 0.5kPa | - |
| 2000 | 2.2kPa | 1.5kPa | 1.0kPa | 1.0kPa | 0.7kPa | 0.5kPa | - |
| 2100 | 2.2kPa | 1.5kPa | 1.0kPa | 1.0kPa | 0.7kPa | 0.5kPa | - |
| 2200 | 2.2kPa | 1.5kPa | 1.0kPa | 0.7kPa | 0.7kPa | 0.5kPa | - |
| 2300 | 2.2kPa | 1.5kPa | 1.0kPa | 0.7kPa | 0.7kPa | 0.5kPa | - |

Loading Tables

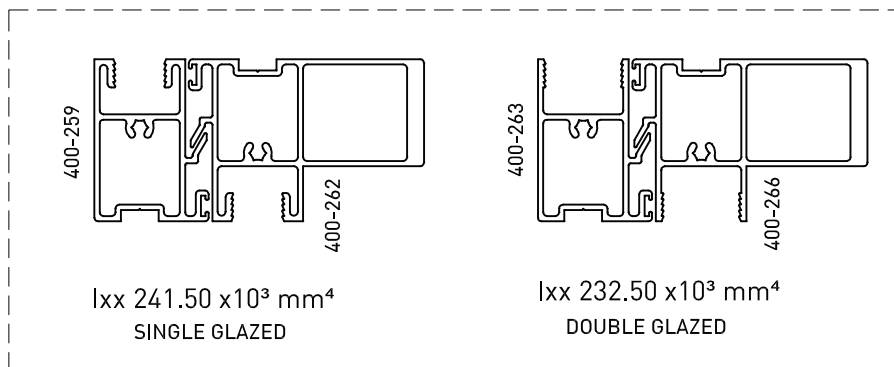
INTERLOCK TYPE 2 - RESIDENTIAL

| Frame Width | 900 | 1000 | 1100 | 1200 | 1300 | 1400 | 1500 |
|--------------|--------|--------|--------|--------|--------|--------|--------|
| Frame Height | | | | | | | |
| 1000 | 3.0kPa | 3.0kPa | 3.0kPa | 3.0kPa | 3.0kPa | 3.0kPa | 3.0kPa |
| 1100 | 3.0kPa | 3.0kPa | 3.0kPa | 3.0kPa | 3.0kPa | 3.0kPa | 3.0kPa |
| 1200 | 3.0kPa | 3.0kPa | 3.0kPa | 3.0kPa | 3.0kPa | 3.0kPa | 3.0kPa |
| 1300 | 3.0kPa | 3.0kPa | 3.0kPa | 3.0kPa | 3.0kPa | 3.0kPa | 3.0kPa |
| 1400 | 3.0kPa | 3.0kPa | 3.0kPa | 3.0kPa | 3.0kPa | 3.0kPa | 3.0kPa |
| 1500 | 3.0kPa | 3.0kPa | 3.0kPa | 3.0kPa | 3.0kPa | 3.0kPa | 3.0kPa |
| 1600 | 3.0kPa | 3.0kPa | 3.0kPa | 3.0kPa | 3.0kPa | 3.0kPa | 3.0kPa |
| 1700 | 3.0kPa | 3.0kPa | 3.0kPa | 3.0kPa | 3.0kPa | 3.0kPa | 3.0kPa |
| 1800 | 3.0kPa | 3.0kPa | 3.0kPa | 3.0kPa | 3.0kPa | 3.0kPa | 2.2kPa |
| 1900 | 3.0kPa | 3.0kPa | 3.0kPa | 3.0kPa | 3.0kPa | 3.0kPa | 2.2kPa |
| 2000 | 3.0kPa | 3.0kPa | 3.0kPa | 3.0kPa | 3.0kPa | 3.0kPa | 2.2kPa |
| 2100 | 3.0kPa | 3.0kPa | 3.0kPa | 3.0kPa | 3.0kPa | 3.0kPa | 2.2kPa |
| 2200 | 3.0kPa | 3.0kPa | 3.0kPa | 3.0kPa | 3.0kPa | 3.0kPa | 2.2kPa |
| 2300 | 3.0kPa | 3.0kPa | 3.0kPa | 3.0kPa | 3.0kPa | 3.0kPa | 2.2kPa |

INTERLOCK TYPE 2 - COMMERCIAL

| Frame Width | 900 | 1000 | 1100 | 1200 | 1300 | 1400 | 1500 |
|--------------|--------|--------|--------|--------|--------|--------|--------|
| Frame Height | | | | | | | |
| 1000 | 3.0kPa | 3.0kPa | 3.0kPa | 3.0kPa | 3.0kPa | 3.0kPa | 3.0kPa |
| 1100 | 3.0kPa | 3.0kPa | 3.0kPa | 3.0kPa | 3.0kPa | 3.0kPa | 3.0kPa |
| 1200 | 3.0kPa | 3.0kPa | 3.0kPa | 3.0kPa | 3.0kPa | 3.0kPa | 2.2kPa |
| 1300 | 3.0kPa | 3.0kPa | 3.0kPa | 3.0kPa | 3.0kPa | 3.0kPa | 2.2kPa |
| 1400 | 3.0kPa | 3.0kPa | 3.0kPa | 3.0kPa | 3.0kPa | 3.0kPa | 2.2kPa |
| 1500 | 3.0kPa | 3.0kPa | 3.0kPa | 3.0kPa | 3.0kPa | 3.0kPa | 2.2kPa |
| 1600 | 3.0kPa | 3.0kPa | 3.0kPa | 3.0kPa | 3.0kPa | 2.2kPa | 2.2kPa |
| 1700 | 3.0kPa | 3.0kPa | 3.0kPa | 3.0kPa | 3.0kPa | 2.2kPa | 1.5kPa |
| 1800 | 3.0kPa | 3.0kPa | 3.0kPa | 3.0kPa | 3.0kPa | 2.2kPa | 1.5kPa |
| 1900 | 3.0kPa | 3.0kPa | 3.0kPa | 3.0kPa | 3.0kPa | 2.2kPa | 1.5kPa |
| 2000 | 3.0kPa | 3.0kPa | 3.0kPa | 3.0kPa | 3.0kPa | 2.2kPa | 1.5kPa |
| 2100 | 3.0kPa | 3.0kPa | 3.0kPa | 3.0kPa | 3.0kPa | 2.2kPa | 1.5kPa |
| 2200 | 3.0kPa | 3.0kPa | 3.0kPa | 3.0kPa | 3.0kPa | 2.2kPa | 1.5kPa |
| 2300 | 3.0kPa | 3.0kPa | 3.0kPa | 3.0kPa | 3.0kPa | 2.2kPa | 1.5kPa |

INTERLOCK TYPE 2



Loading Tables

INTERLOCK TYPE 3 - RESIDENTIAL

| Frame Width | 900 | 1000 | 1100 | 1200 | 1300 | 1400 | 1500 |
|--------------|--------|--------|--------|--------|--------|--------|--------|
| Frame Height | | | | | | | |
| 1000 | 3.0kPa | 3.0kPa | 3.0kPa | 3.0kPa | 3.0kPa | 3.0kPa | 3.0kPa |
| 1100 | 3.0kPa | 3.0kPa | 3.0kPa | 3.0kPa | 3.0kPa | 3.0kPa | 3.0kPa |
| 1200 | 3.0kPa | 3.0kPa | 3.0kPa | 3.0kPa | 3.0kPa | 3.0kPa | 3.0kPa |
| 1300 | 3.0kPa | 3.0kPa | 3.0kPa | 3.0kPa | 3.0kPa | 3.0kPa | 3.0kPa |
| 1400 | 3.0kPa | 3.0kPa | 3.0kPa | 3.0kPa | 3.0kPa | 3.0kPa | 3.0kPa |
| 1500 | 3.0kPa | 3.0kPa | 3.0kPa | 3.0kPa | 3.0kPa | 3.0kPa | 3.0kPa |
| 1600 | 3.0kPa | 3.0kPa | 3.0kPa | 3.0kPa | 3.0kPa | 3.0kPa | 3.0kPa |
| 1700 | 3.0kPa | 3.0kPa | 3.0kPa | 3.0kPa | 3.0kPa | 3.0kPa | 3.0kPa |
| 1800 | 3.0kPa | 3.0kPa | 3.0kPa | 3.0kPa | 3.0kPa | 3.0kPa | 3.0kPa |
| 1900 | 3.0kPa | 3.0kPa | 3.0kPa | 3.0kPa | 3.0kPa | 3.0kPa | 3.0kPa |
| 2000 | 3.0kPa | 3.0kPa | 3.0kPa | 3.0kPa | 3.0kPa | 3.0kPa | 3.0kPa |
| 2100 | 3.0kPa | 3.0kPa | 3.0kPa | 3.0kPa | 3.0kPa | 3.0kPa | 3.0kPa |
| 2200 | 3.0kPa | 3.0kPa | 3.0kPa | 3.0kPa | 3.0kPa | 3.0kPa | 3.0kPa |
| 2300 | 3.0kPa | 3.0kPa | 3.0kPa | 3.0kPa | 3.0kPa | 3.0kPa | 3.0kPa |

INTERLOCK TYPE 3 - COMMERCIAL

| Frame Width | 900 | 1000 | 1100 | 1200 | 1300 | 1400 | 1500 |
|--------------|--------|--------|--------|--------|--------|--------|--------|
| Frame Height | | | | | | | |
| 1000 | 3.0kPa | 3.0kPa | 3.0kPa | 3.0kPa | 3.0kPa | 3.0kPa | 3.0kPa |
| 1100 | 3.0kPa | 3.0kPa | 3.0kPa | 3.0kPa | 3.0kPa | 3.0kPa | 3.0kPa |
| 1200 | 3.0kPa | 3.0kPa | 3.0kPa | 3.0kPa | 3.0kPa | 3.0kPa | 3.0kPa |
| 1300 | 3.0kPa | 3.0kPa | 3.0kPa | 3.0kPa | 3.0kPa | 3.0kPa | 3.0kPa |
| 1400 | 3.0kPa | 3.0kPa | 3.0kPa | 3.0kPa | 3.0kPa | 3.0kPa | 3.0kPa |
| 1500 | 3.0kPa | 3.0kPa | 3.0kPa | 3.0kPa | 3.0kPa | 3.0kPa | 3.0kPa |
| 1600 | 3.0kPa | 3.0kPa | 3.0kPa | 3.0kPa | 3.0kPa | 3.0kPa | 3.0kPa |
| 1700 | 3.0kPa | 3.0kPa | 3.0kPa | 3.0kPa | 3.0kPa | 3.0kPa | 3.0kPa |
| 1800 | 3.0kPa | 3.0kPa | 3.0kPa | 3.0kPa | 3.0kPa | 3.0kPa | 3.0kPa |
| 1900 | 3.0kPa | 3.0kPa | 3.0kPa | 3.0kPa | 3.0kPa | 3.0kPa | 3.0kPa |
| 2000 | 3.0kPa | 3.0kPa | 3.0kPa | 3.0kPa | 3.0kPa | 3.0kPa | 3.0kPa |
| 2100 | 3.0kPa | 3.0kPa | 3.0kPa | 3.0kPa | 3.0kPa | 3.0kPa | 3.0kPa |
| 2200 | 3.0kPa | 3.0kPa | 3.0kPa | 3.0kPa | 3.0kPa | 3.0kPa | 3.0kPa |
| 2300 | 3.0kPa | 3.0kPa | 3.0kPa | 3.0kPa | 3.0kPa | 3.0kPa | 3.0kPa |

INTERLOCK TYPE 3

