



ARCHITECTURAL RANGE 744 SYSTEM

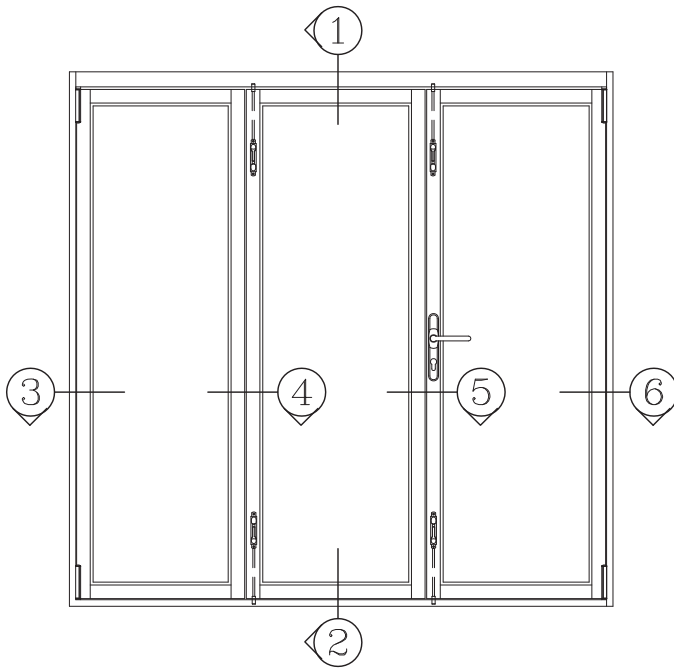
Pinnacle™ Bifold Door

Specifier Guide

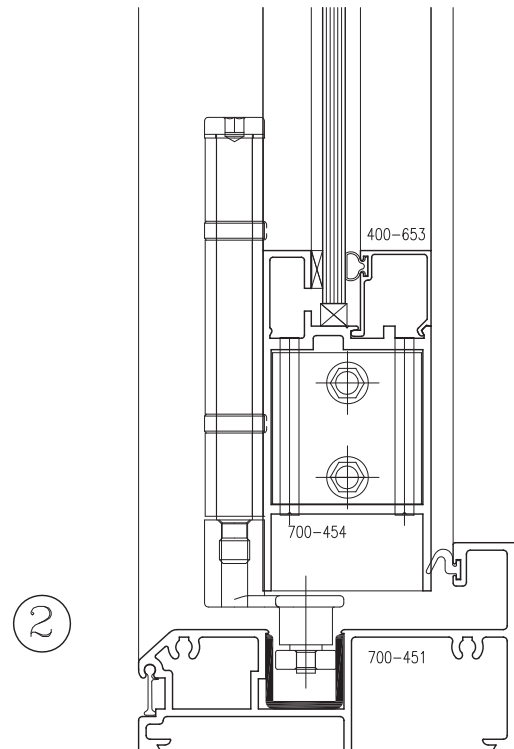
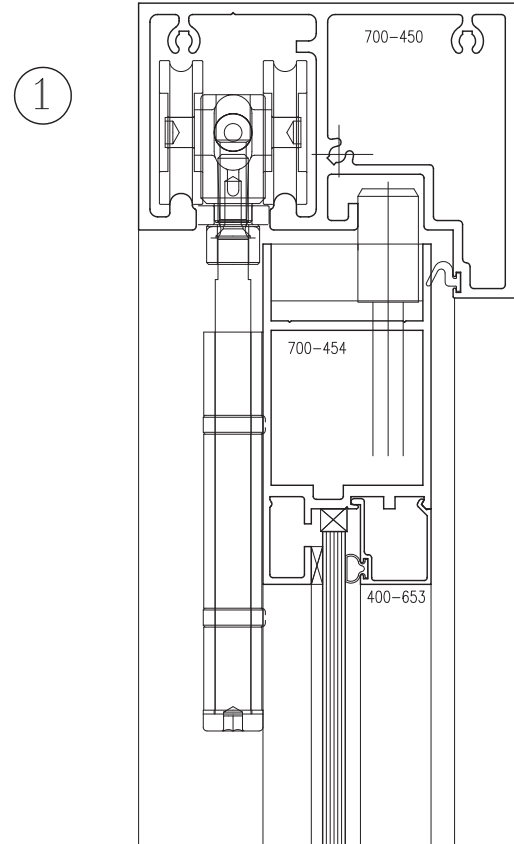
The Lidco Specifier's Guide contains technical information, maximum permissible sizes, typical configurations, energy ratings and key design features and benefits.



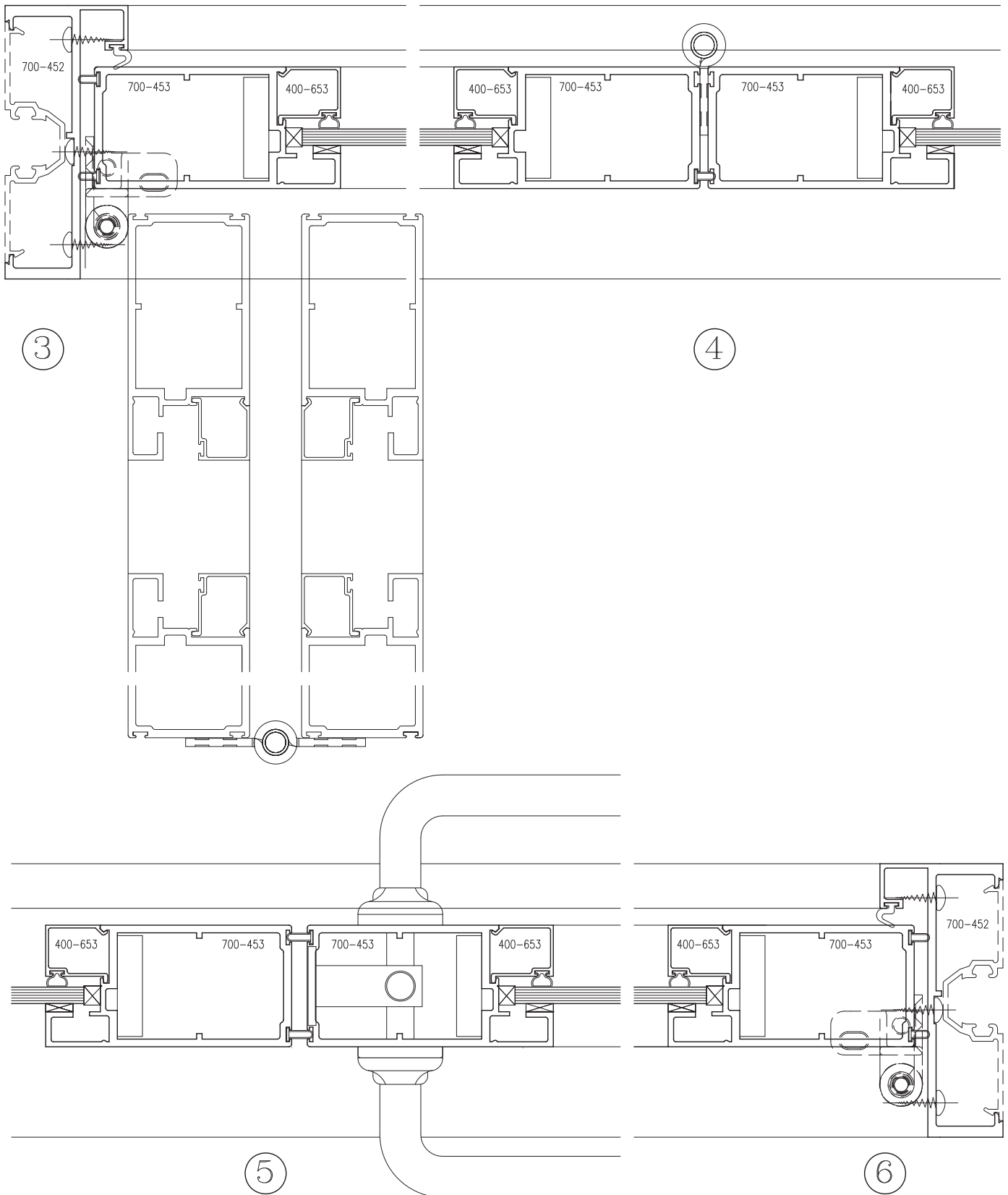
Typical Configurations



MAXIMUM PANEL SIZES 3000mm HIGH x 1000mm WIDE



Typical Configurations

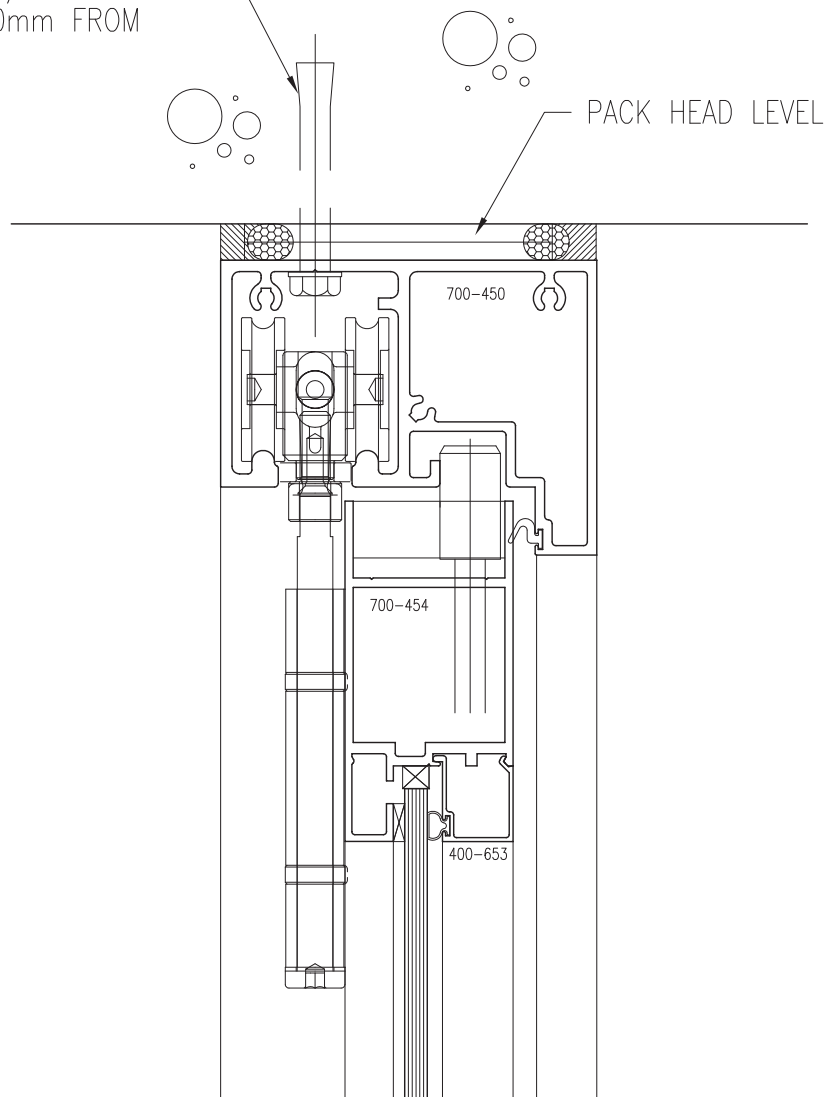


COPYRIGHT

Typical Configurations
NOTES

1. REFER SALES OFFICE FOR SIZE LIMITATIONS.
2. WHEN FIXING INTO TIMBER USE 8mm COACHBOLTS – AT FIXING CENTRES BELOW
WHEN FIXING INTO STEEL USE M8 S/S NUTS & BOLTS – AT FIXING CENTRES BELOW

M8 DYNABOLT FIXINGS
@ 400mm MAX. CTRS.
PROVIDE ADDITIONAL
INTERMEDIATE FIXING AT
STACKED END/S-75mm
CENTRES 300mm FROM
JAMBS.



Test Results

744 PINNACLE bifold door – XXX – 6.38 lam

Serviceability load	+/-1.5 kPa
Ultimate load	+/-2.3 kPa
Water penetration	300 Pa
Air infiltration @75Pa	+ 0.19 l/s/m ² - 0.40 l/s/m ²
Operating force (initiating)	N/A
Operating force (maintaining)	N/A
Test sample size	2.1m high x 2.35m wide
Test report number	NSW 893-901407