



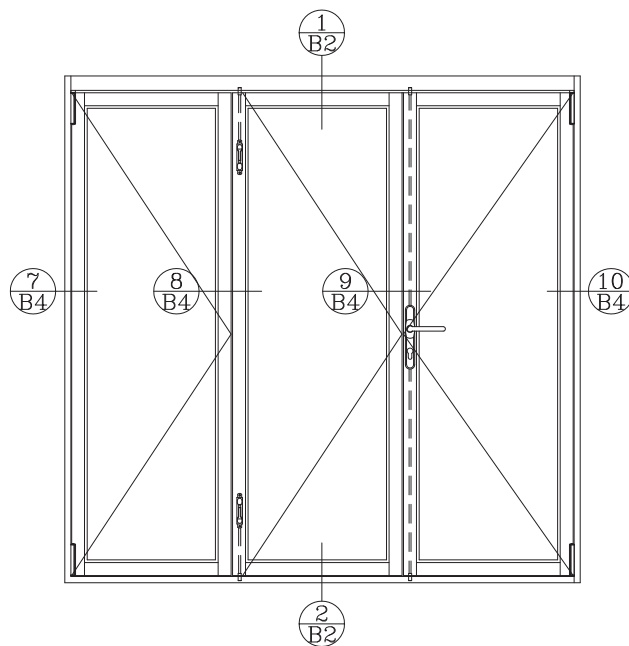
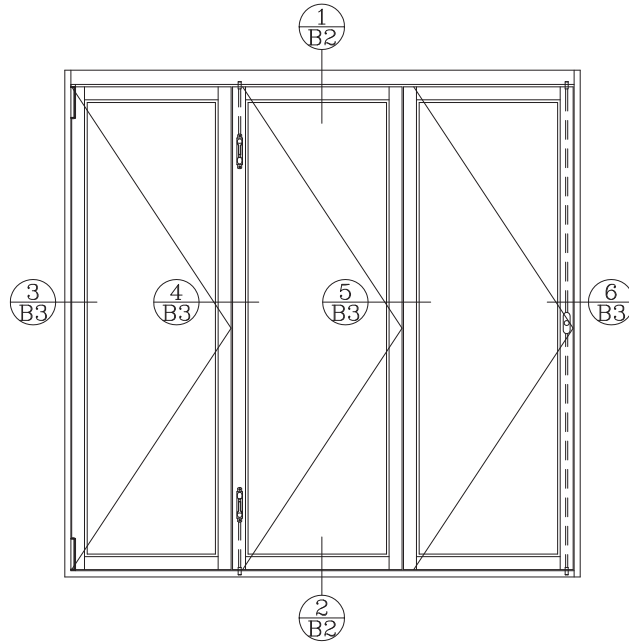
CONTEMPORARY RANGE 615 SYSTEM

Lifestyle™ Bifold Door

Specifier Guide

The Lidco Specifier's Guide contains technical information, maximum permissible sizes, typical configurations, energy ratings and key design features and benefits.

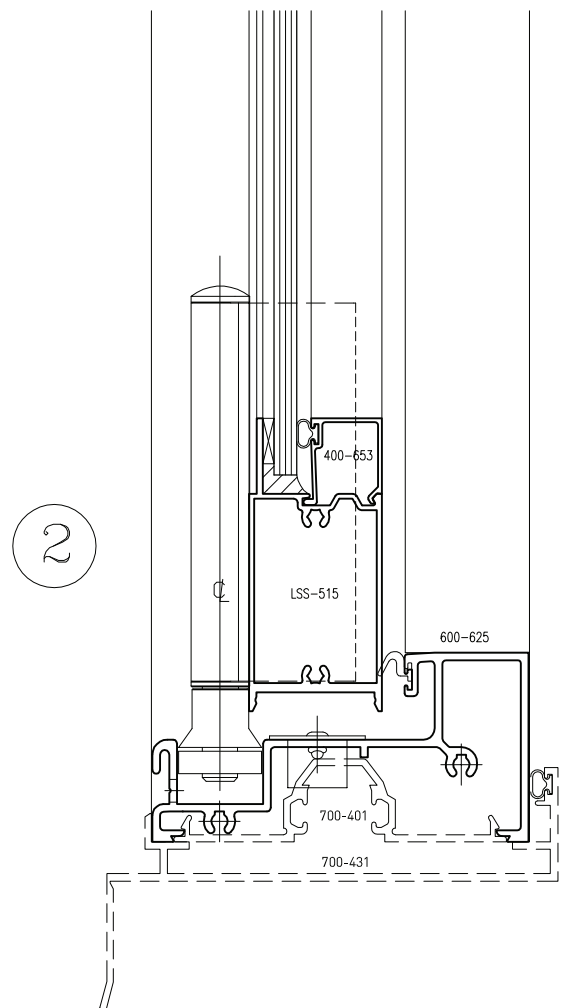
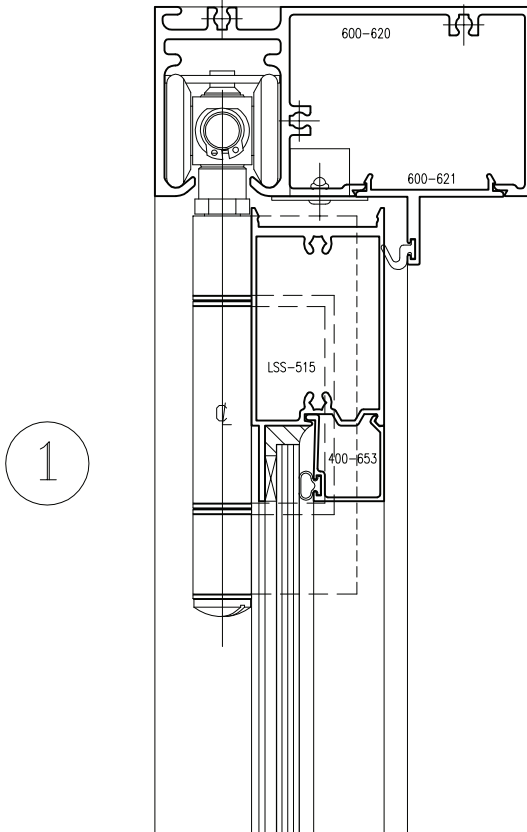


Typical Configurations


MAXIMUM PANEL SIZES 2500mm HIGH x 800mm WIDE

NOTE:
FOR DESIGN END USE LIMITS AND STRUCTURAL PERFORMANCE REFER TO SALES OFFICE

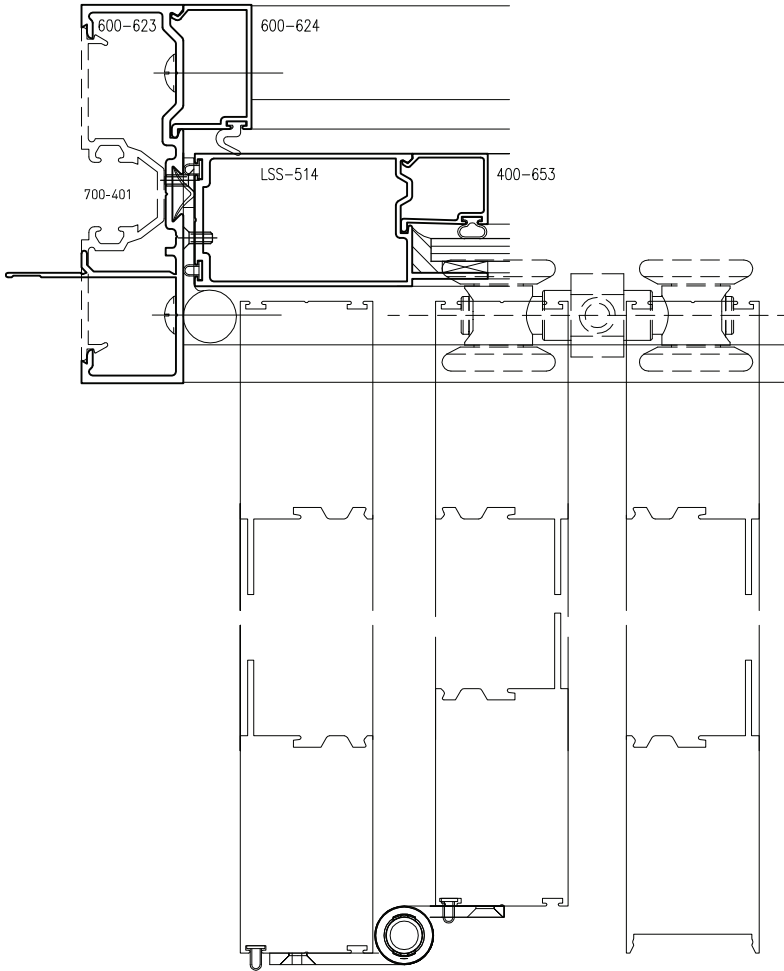
Typical Configurations



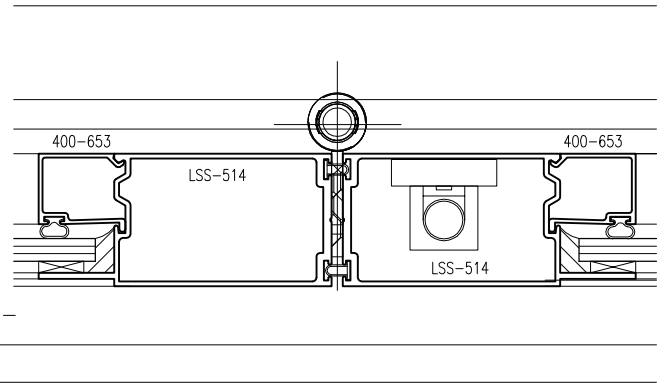
NOTE:
FOR DESIGN END USE LIMITS AND
STRUCTURAL PERFORMANCE, REFER
TO SALES OFFICE

Typical Configurations

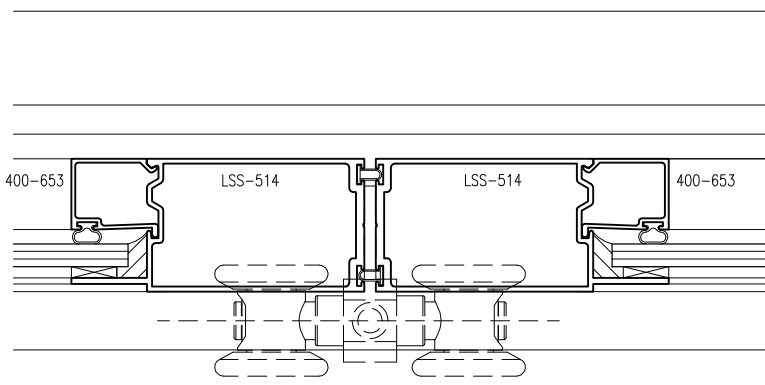
3



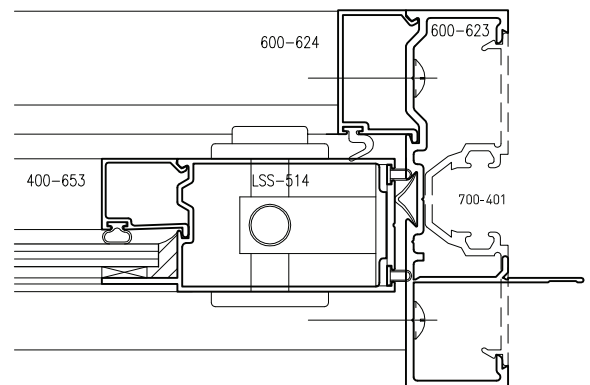
4



5

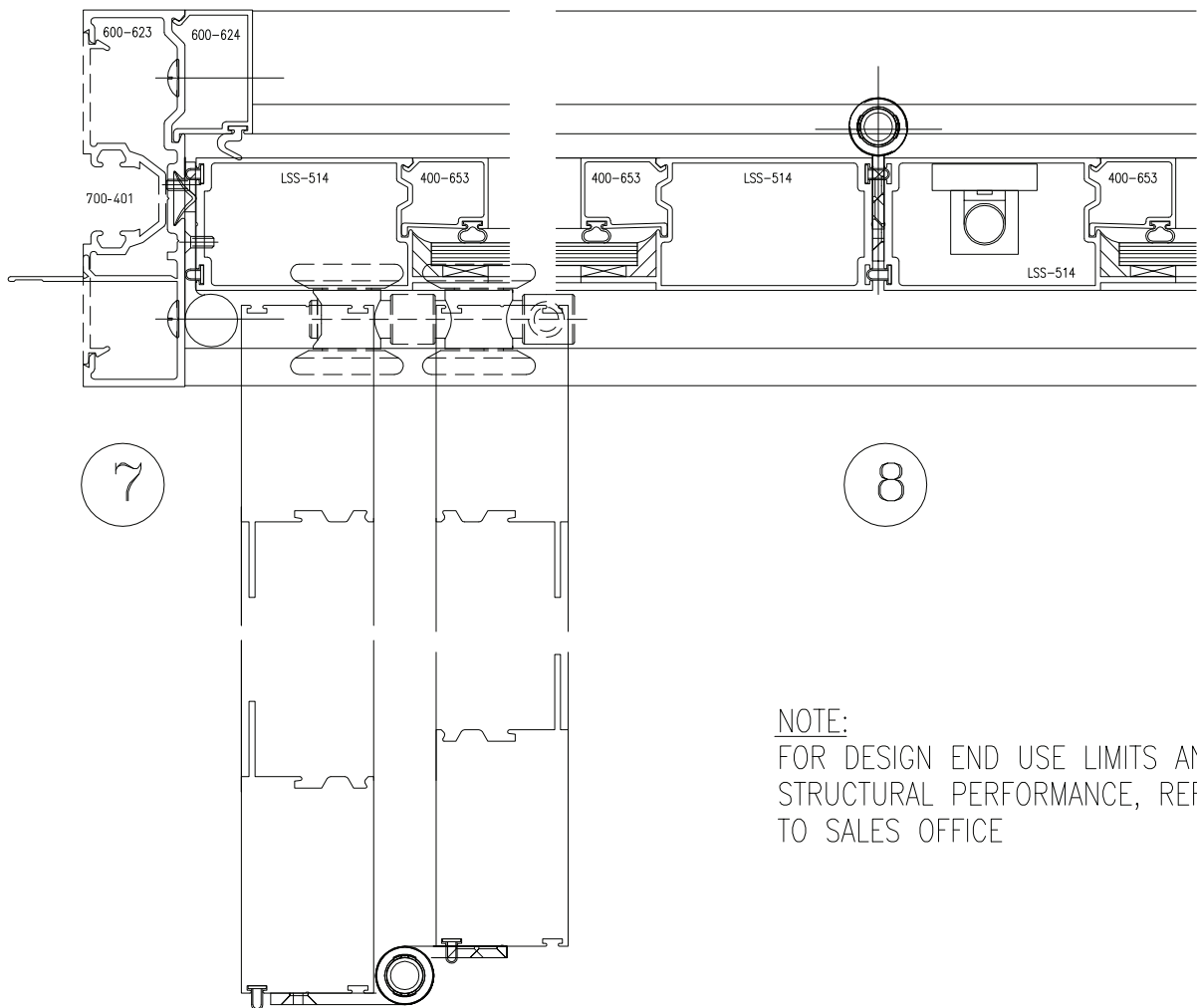


6

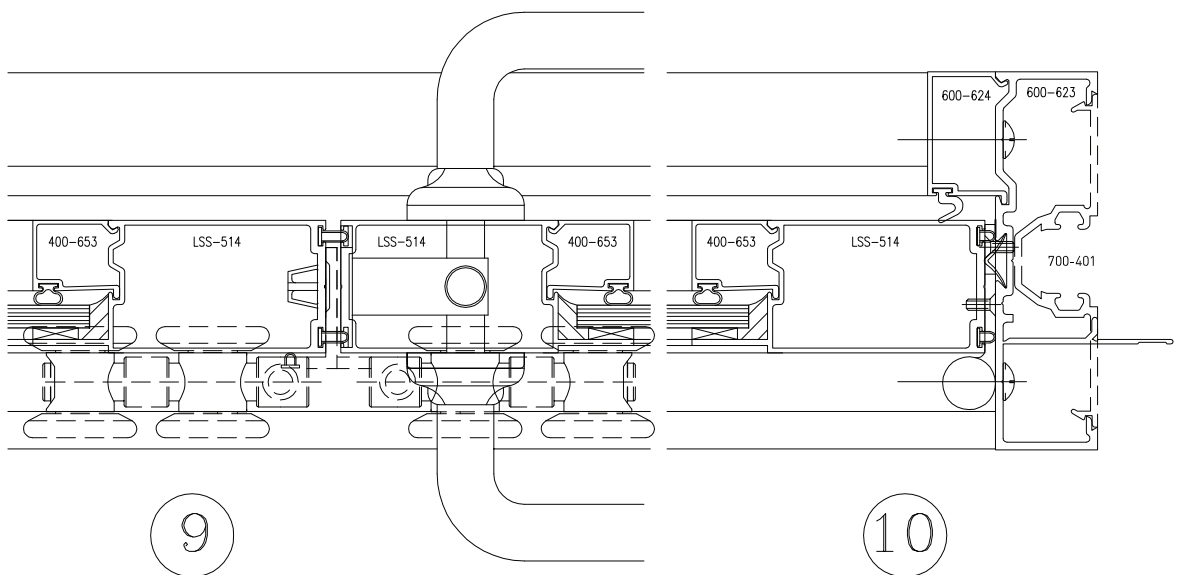


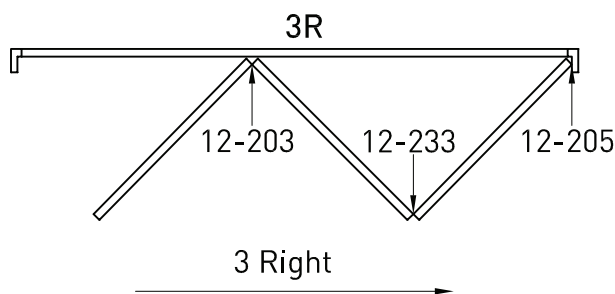
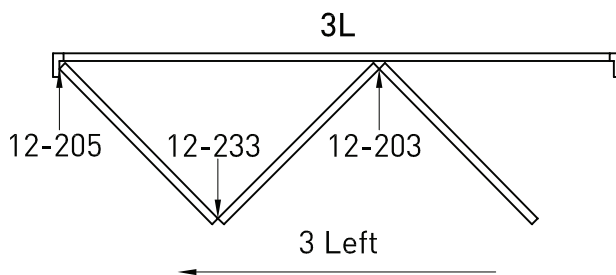
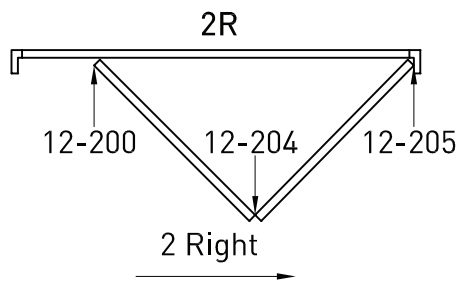
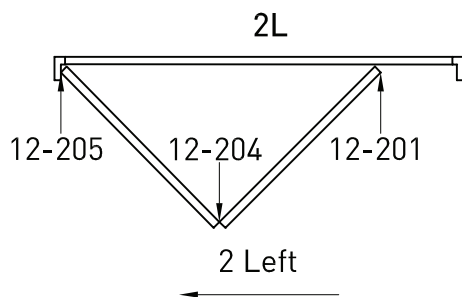
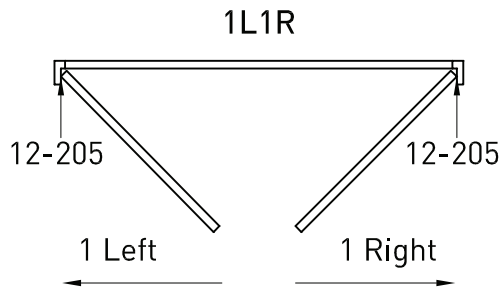
NOTE:
FOR DESIGN END USE LIMITS AND
STRUCTURAL PERFORMANCE, REFER
TO SALES OFFICE

Typical Configurations



NOTE:
FOR DESIGN END USE LIMITS AND
STRUCTURAL PERFORMANCE, REFER
TO SALES OFFICE

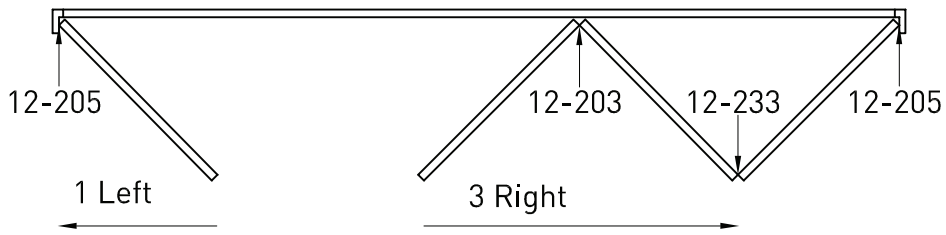


Typical Configurations


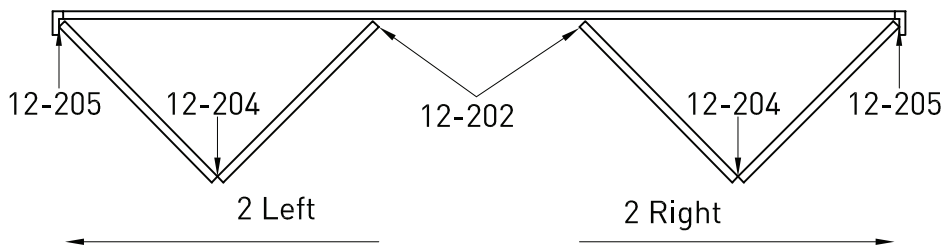
- 12-200 Left Carrier
- 12-201 Right Carrier
- 12-202 Meeting Carrier
- 12-203 Intermediate Carrier
- 12-204 Hinge Set
- 12-205 Pivot Set
- 12-233 Offset Hinge Set
- 15-200 Flush Bolt
- 15-122 Lock

Typical Configurations

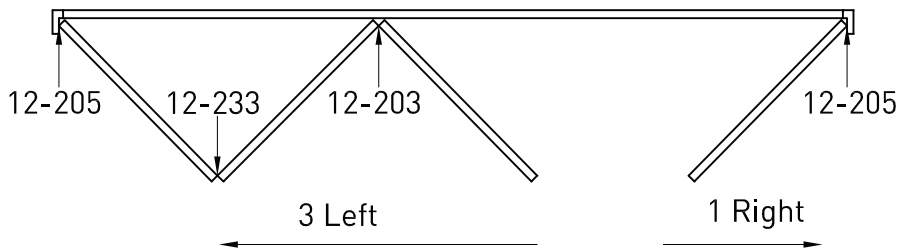
1L3R



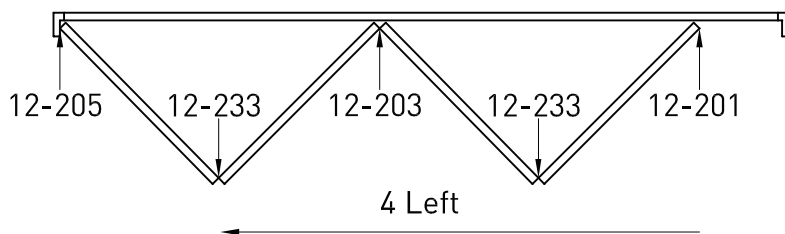
2L2R



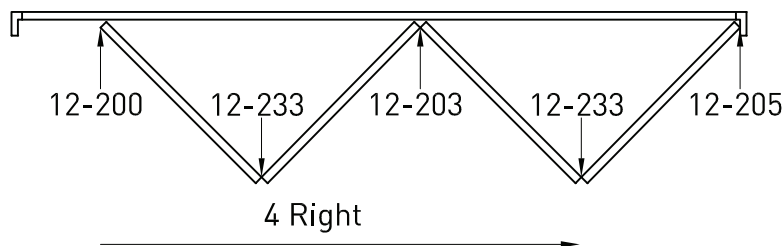
3L1R

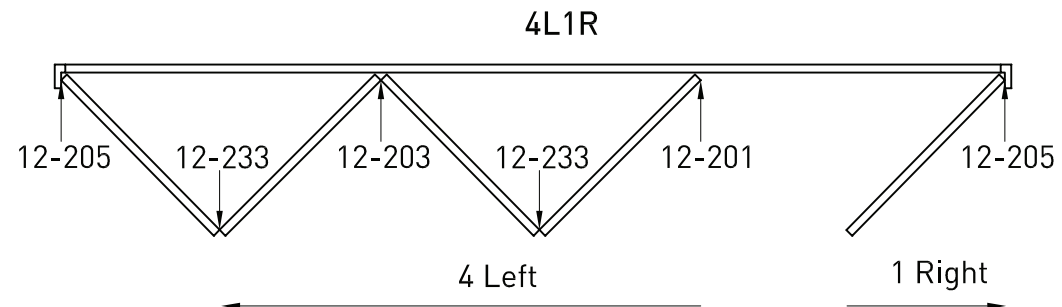
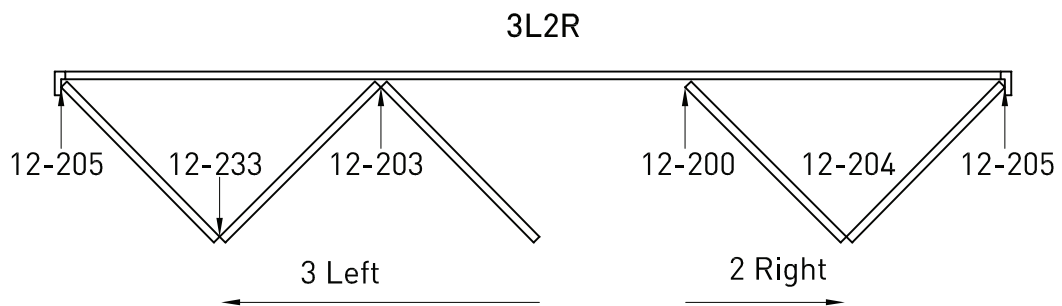
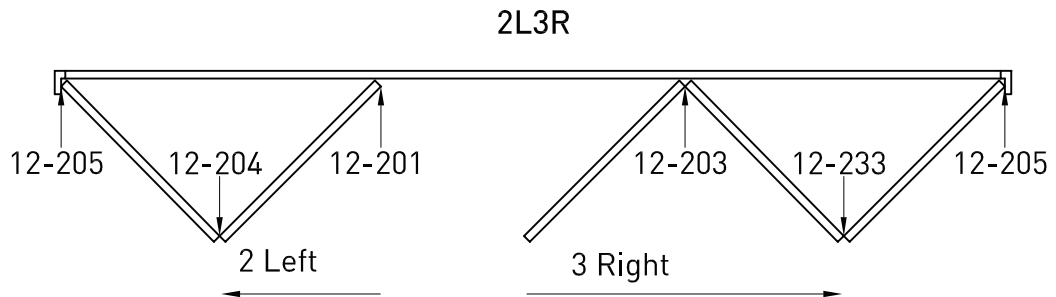
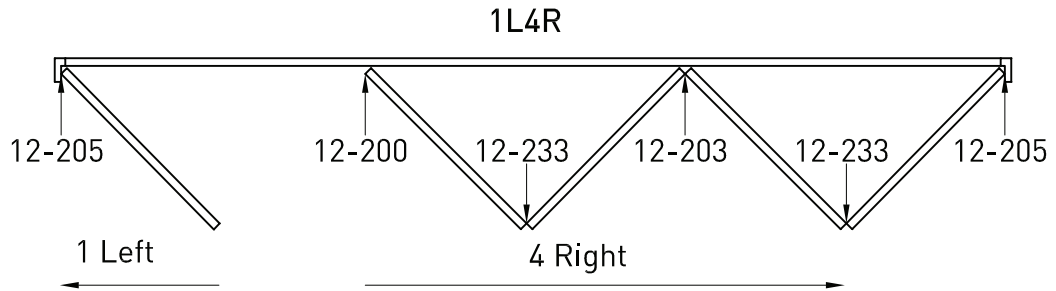


4L



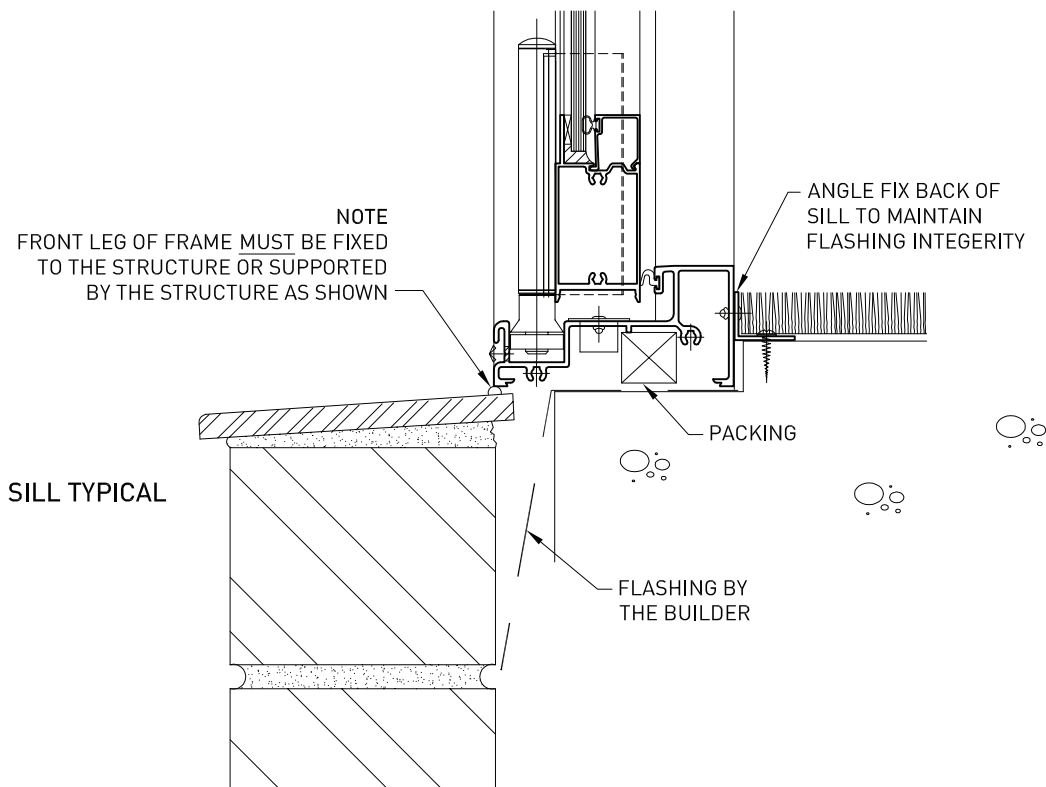
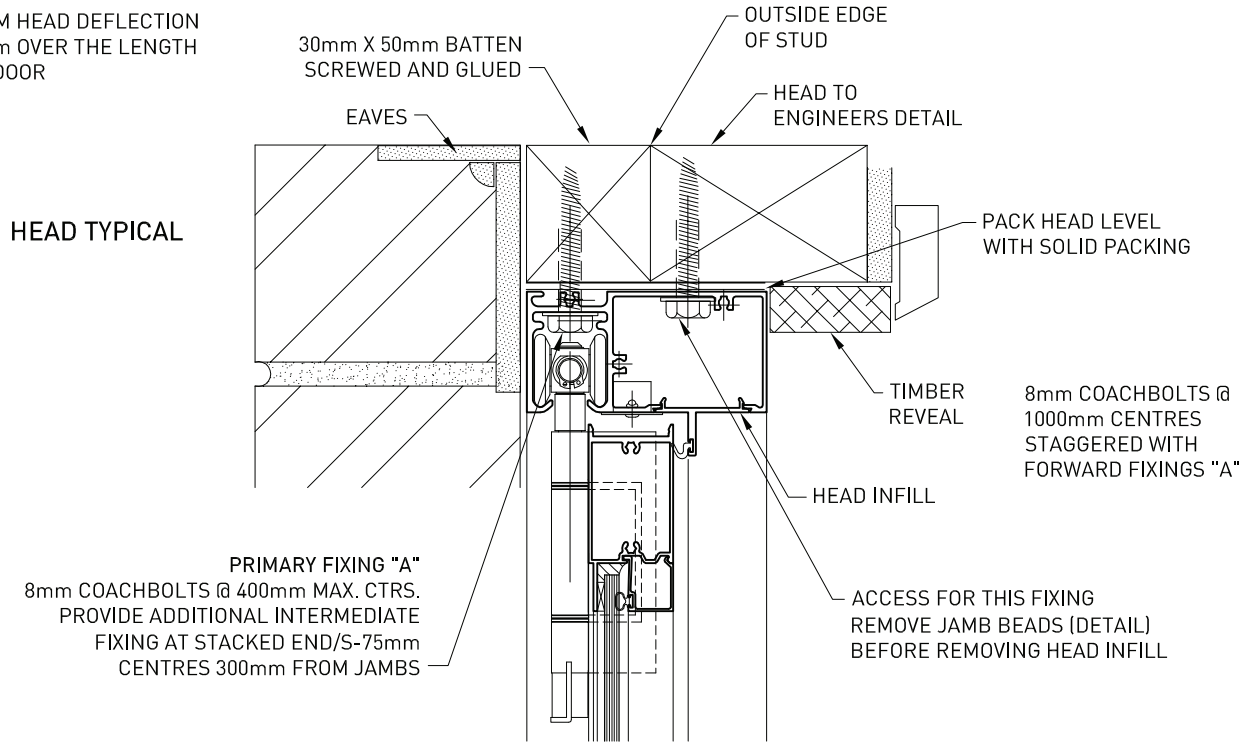
4R



Typical Configurations


Installation Details

NOTE
MAXIMUM HEAD DEFLECTION
OF 2.0mm OVER THE LENGTH
OF THE DOOR



Test Reports**615 LIFESTYLE bifold door - XX - 2 panel 6.38mm**

Serviceability load +/- 1.0 kPa

Water penetration 300 Pa

Air infiltration

@75Pa + 0.21 l/s/m²
- 3.6 l/s/m²

Test sample size 2.1m high x 1.5m wide

Test report number NSW 739-90340