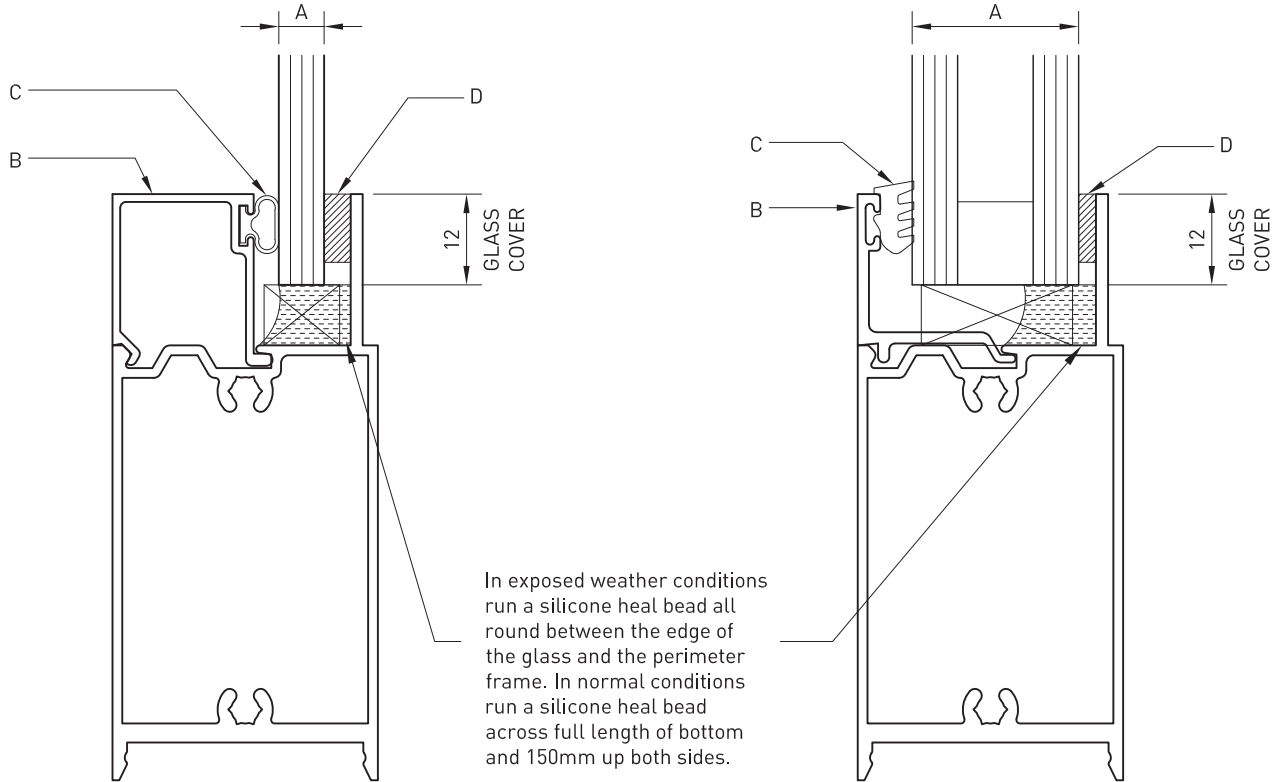


Glazing Details



| A (Glass Thickness) | B (Bead) | C (Glazing Wedge) | D (Glazing Tape) |
|---------------------|----------|-------------------|------------------|
| 4mm | 400-653 | 02-082 | 4.8x9mm |
| 5mm | 400-653 | 02-082 | 3.2x9mm |
| 6mm/6.38mm | 400-653 | 02-082 | 3.2x9mm |
| 8mm | 400-654 | 02-082 | 4.8x9mm |
| 10mm | 400-654 | 02-082 | 3.2x9mm |
| 18mm | 400-447 | 04-118 | 1.6x9mm |
| 22mm | 400-405 | 04-108 | 1.6x9mm |

Lay door sash face down with bead facing up. Check and ensure frame is square. Run glazing tape around the full perimeter of glazing leg. Position glass ensuring alignment to provide equal cover on all sides. Apply silicone heel bead all round. Clip horizontal glazing beads in first then the vertical beads. Leave door panel laying flat with beads up to allow silicone a minimum 12 hours curing time before moving.

Notes: Notch beads where required to clear glazing blocks. For glazing tape and wedge selection, refer to the table above. Outside glazing does not need heel bead unless extreme conditions.