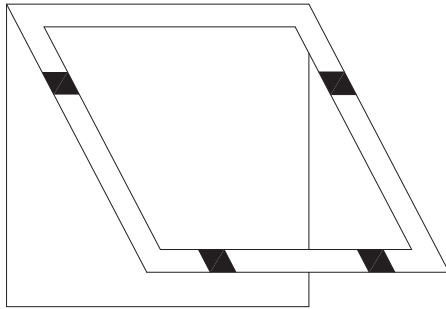
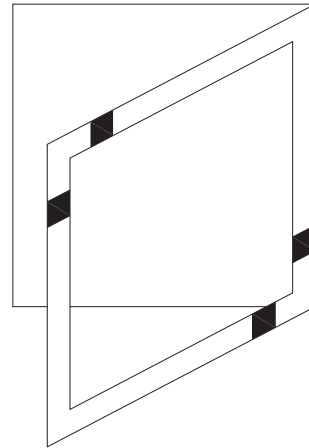


Glazing Details

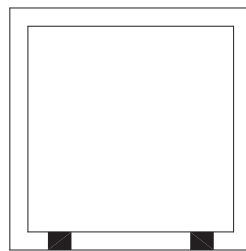
Awning Window -
Glazing Block Locations



Casement Window -
Glazing Block Locations



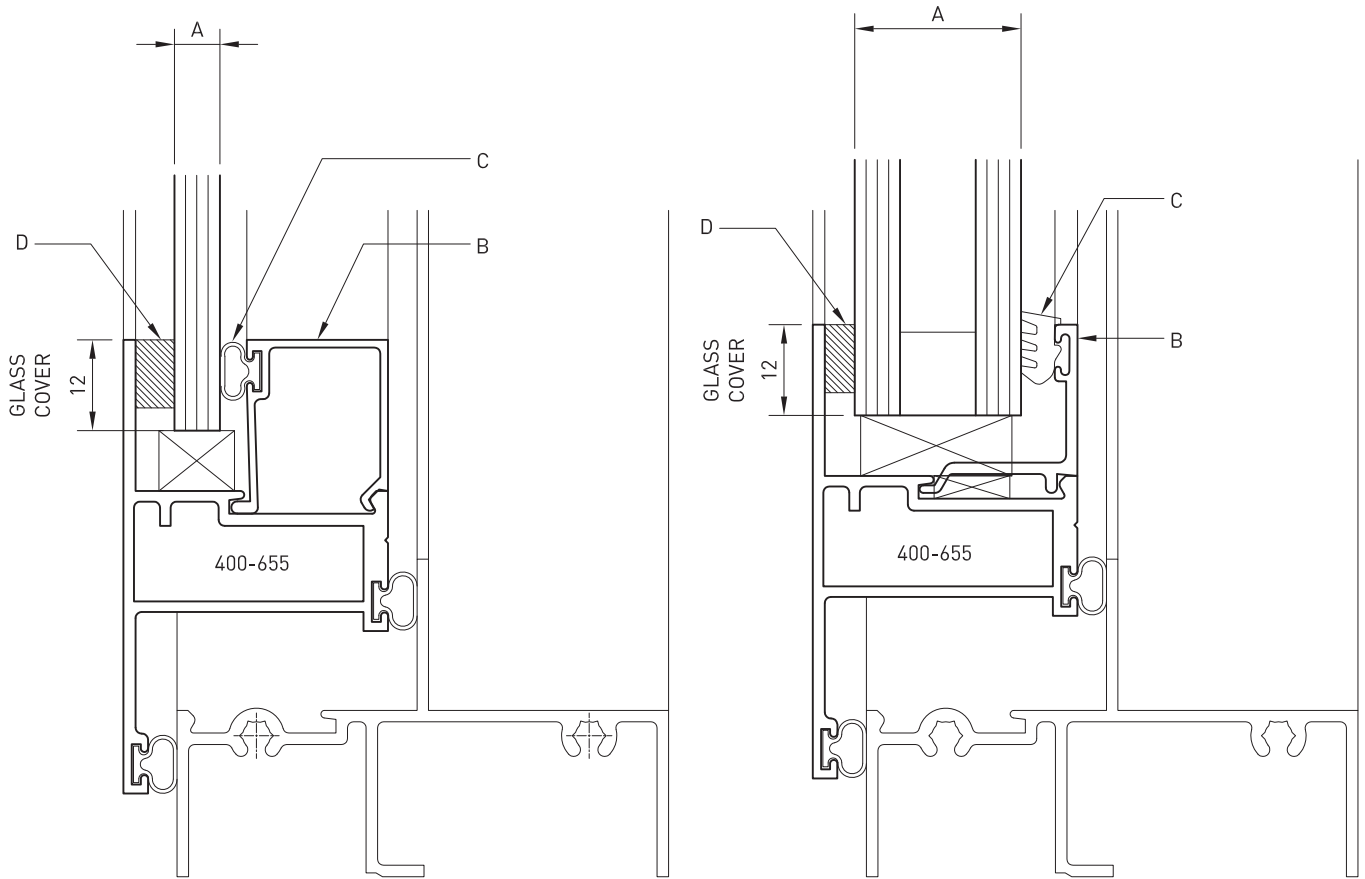
Fixed Window -
Glazing Block Locations



Check and ensure frame is square. Run glazing tape around the full perimeter of glazing leg.
Position glazing blocks to be either length/8 or 150mm which ever greater and locate glass ensuring alignment to provide equal cover on all sides.
Then block glass as shown ensuring sash is square.
Notch beads where required to clear glazing blocks.
Clip horizontal glazing beads in first then the vertical beads.
Use 02-081 bulb seal for anodised beads and 02-082 for powdercoated beads.

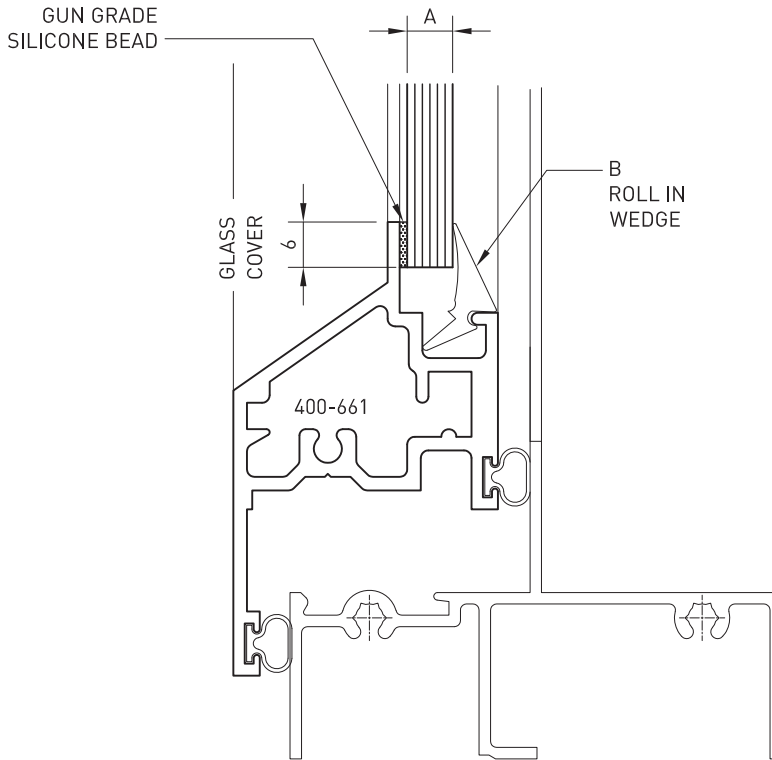
Notes: Glazing blocks length must be 25mm per meter square with a minimum 25mm.
For glazing tape and wedge selection, refer to the following tables.

Glazing Details



| A (Glass Thickness) | B (Bead) | C (Glazing Wedge) | D (Glazing Tape) |
|---------------------|----------|-------------------|------------------|
| 4mm | 400-653 | 02-082 | 6.4x9mm |
| 5mm | 400-653 | 02-082 | 4.8x9mm |
| 6mm/6.38mm | 400-653 | 02-082 | 4.8x9mm |
| 8mm | 400-654 | 02-082 | 6.4x9mm |
| 10mm | 400-654 | 02-082 | 4.8x9mm |
| 18mm | 400-447 | 04-118 | 3.2x9mm |
| 22mm | 400-405 | 04-108 | 3.2x9mm |

Glazing Details



| A (Glass Thickness) | B (Glazing Wedge) | Material |
|---------------------|-------------------|----------|
| 5mm-6.38mm | 04-234 | PVC |

Assemble sash in the horizontal plane, with the wedge face up, ensuring the assembly is square.

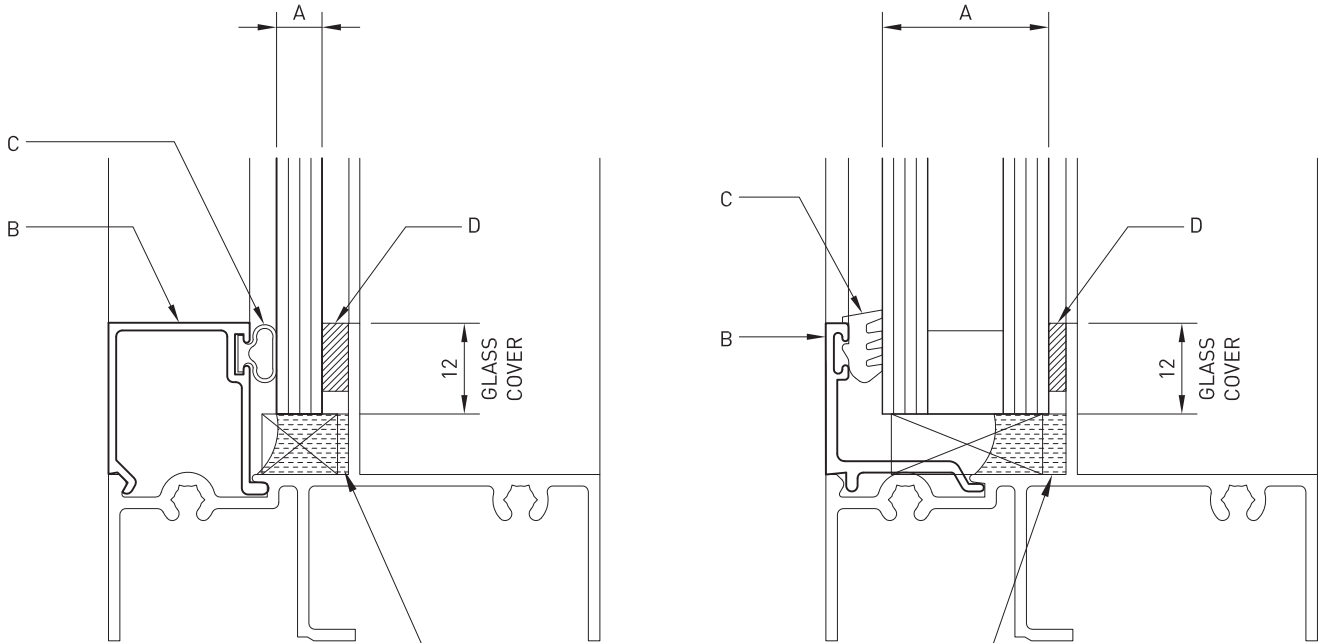
Gun a small continuous bead of silicone sealant against the glazing leg. Position the glass into the rebate against the silicone, ensuring that similar edge clearance is maintained all round the glass.

Roll in wedge ensuring that corners meet firmly.

Handle gently and carefully. Lay sash down with pvc wedge face up, to ensure pressure on silicone bead, to allow silicone to cure.

Do not transport vertically for 12 hours after glazing.

Glazing Details



In exposed weather conditions run a silicone seal bead all round between the edge of the glass and the perimeter frame. In normal conditions run a silicone seal bead across full length of bottom and 150mm up both sides.

| A (Glass Thickness) | B (Bead) | C (Glazing Wedge) | D (Glazing Tape) |
|---------------------|----------|-------------------|------------------|
| 4mm | 400-653 | 02-082 | 4.8x9mm |
| 5mm | 400-653 | 02-082 | 3.2x9mm |
| 6mm/6.38mm | 400-653 | 02-082 | 3.2x9mm |
| 8mm | 400-654 | 02-082 | 4.8x9mm |
| 10mm | 400-654 | 02-082 | 3.2x9mm |
| 18mm | 400-447 | 04-118 | 1.6x9mm |
| 22mm | 400-405 | 04-108 | 1.6x9mm |

Notes: The system is not recommended for internal glazing. Seal bead must be applied to all four sides if internal glazing used. A minimum of 15% compression is required when using bulb seal. Outside glazing does not need seal bead unless extreme conditions.