



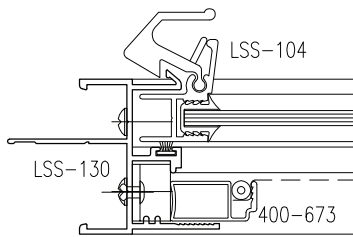
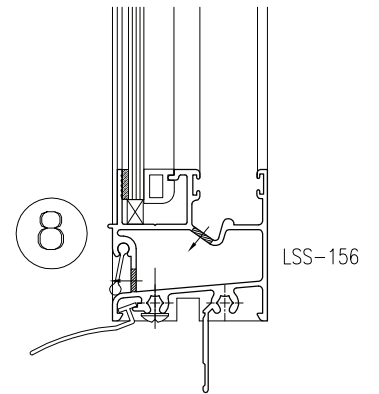
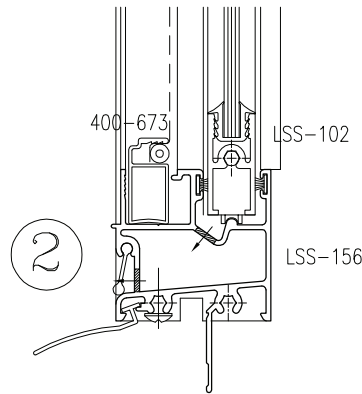
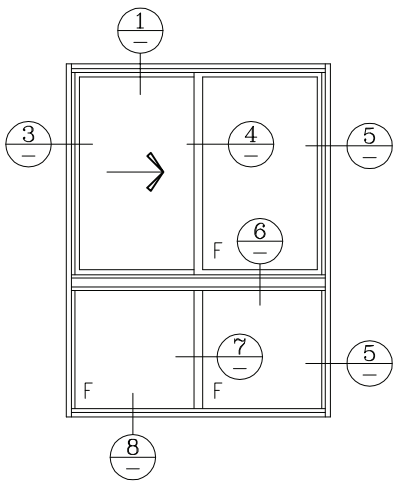
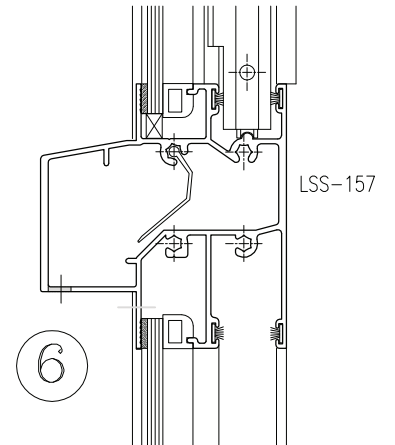
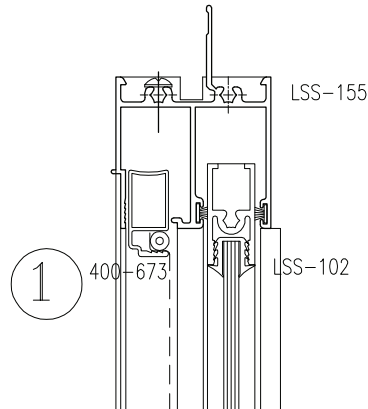
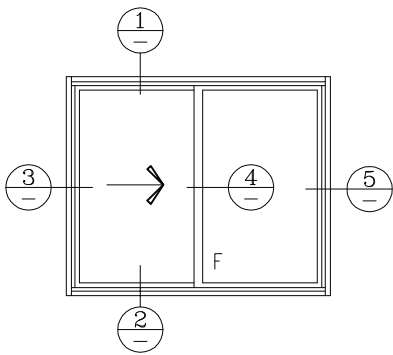
CONTEMPORARY RANGE 112 SYSTEM

Lifestyle™ Sliding Window

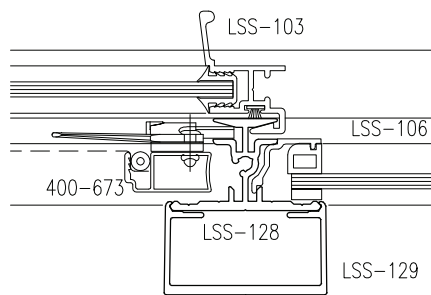
Specifier Guide

The Lidco Specifier's Guide contains technical information, maximum permissible sizes, typical configurations, energy ratings and key design features and benefits.

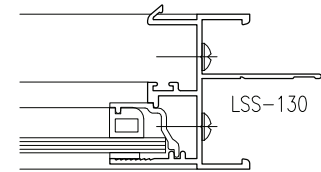


Typical Configurations


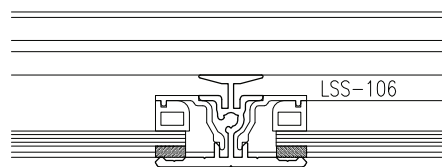
3



4

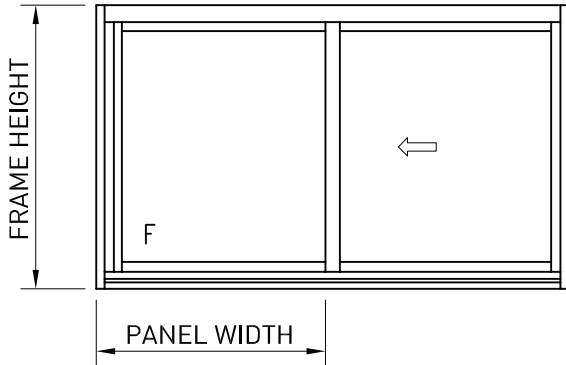


5



7

Loading Tables

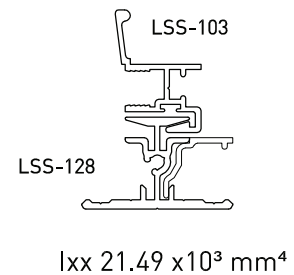


The following calculations are based on theoretical section properties, not on approved tests as specified by AS2047. The Design Wind Pressure is used to calculate the theoretical maximum panel size and does not account for Water Penetration. For more detailed information on suitability please contact Lidco directly.

Residential Deflection ratio, K = 180

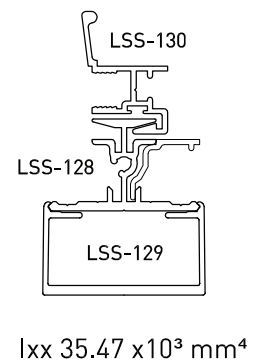
INTERLOCK TYPE 1 - RESIDENTIAL

Panel Width	400	500	600	700	800	900	1000
Frame Height							
500	3.0kPa	3.0kPa	3.0kPa	3.0kPa	3.0kPa	3.0kPa	3.0kPa
600	3.0kPa	3.0kPa	3.0kPa	3.0kPa	3.0kPa	3.0kPa	3.0kPa
700	3.0kPa	3.0kPa	3.0kPa	3.0kPa	3.0kPa	3.0kPa	3.0kPa
800	3.0kPa	3.0kPa	3.0kPa	3.0kPa	3.0kPa	2.2kPa	2.2kPa
900	2.2kPa	2.2kPa	2.2kPa	1.5kPa	1.5kPa	1.5kPa	1.5kPa
1000	1.5kPa	1.5kPa	1.5kPa	1.0kPa	1.0kPa	1.0kPa	1.0kPa
1100	1.0kPa	1.0kPa	1.0kPa	0.7kPa	0.7kPa	0.7kPa	0.7kPa
1200	1.0kPa	0.7kPa	0.7kPa	0.7kPa	0.5kPa	0.5kPa	0.5kPa
1300	0.7kPa	0.7kPa	0.5kPa	0.5kPa	-	-	-
1400	0.5kPa	0.5kPa	-	-	-	-	-
1500	0.5kPa	-	-	-	-	-	-



INTERLOCK TYPE 2 - RESIDENTIAL

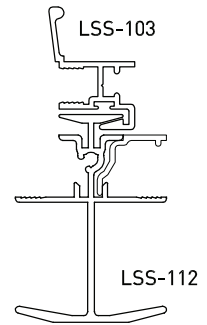
Panel Width	400	500	600	700	800	900	1000
Frame Height							
500	3.0kPa	3.0kPa	3.0kPa	3.0kPa	3.0kPa	3.0kPa	3.0kPa
600	3.0kPa	3.0kPa	3.0kPa	3.0kPa	3.0kPa	3.0kPa	3.0kPa
700	3.0kPa	3.0kPa	3.0kPa	3.0kPa	3.0kPa	3.0kPa	3.0kPa
800	3.0kPa	3.0kPa	3.0kPa	3.0kPa	3.0kPa	3.0kPa	3.0kPa
900	3.0kPa	3.0kPa	3.0kPa	3.0kPa	3.0kPa	3.0kPa	2.2kPa
1000	3.0kPa	2.2kPa	2.2kPa	2.2kPa	1.5kPa	1.5kPa	1.5kPa
1100	2.2kPa	1.5kPa	1.5kPa	1.5kPa	1.0kPa	1.0kPa	1.0kPa
1200	1.5kPa	1.5kPa	1.0kPa	1.0kPa	1.0kPa	1.0kPa	0.7kPa
1300	1.0kPa	1.0kPa	1.0kPa	0.7kPa	0.7kPa	0.7kPa	0.7kPa
1400	1.0kPa	0.7kPa	0.7kPa	0.5kPa	0.5kPa	0.5kPa	0.5kPa
1500	0.7kPa	0.7kPa	0.5kPa	0.5kPa	-	-	-



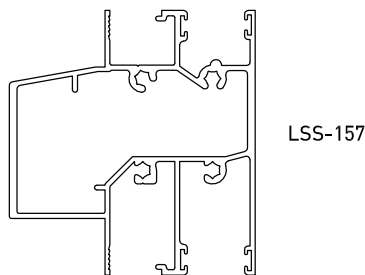
Loading Tables

INTERLOCK TYPE 3 - RESIDENTIAL

Panel Width	400	500	600	700	800	900	1000
Frame Height							
500	3.0kPa	3.0kPa	3.0kPa	3.0kPa	3.0kPa	3.0kPa	3.0kPa
600	3.0kPa	3.0kPa	3.0kPa	3.0kPa	3.0kPa	3.0kPa	3.0kPa
700	3.0kPa	3.0kPa	3.0kPa	3.0kPa	3.0kPa	3.0kPa	3.0kPa
800	3.0kPa	3.0kPa	3.0kPa	3.0kPa	3.0kPa	3.0kPa	3.0kPa
900	3.0kPa	3.0kPa	3.0kPa	3.0kPa	3.0kPa	3.0kPa	3.0kPa
1000	3.0kPa	3.0kPa	3.0kPa	3.0kPa	3.0kPa	3.0kPa	3.0kPa
1100	3.0kPa	3.0kPa	3.0kPa	3.0kPa	3.0kPa	3.0kPa	3.0kPa
1200	3.0kPa	3.0kPa	3.0kPa	3.0kPa	3.0kPa	3.0kPa	3.0kPa
1300	3.0kPa	3.0kPa	3.0kPa	2.2kPa	2.2kPa	2.2kPa	2.2kPa
1400	3.0kPa	3.0kPa	2.2kPa	2.2kPa	1.5kPa	1.5kPa	1.5kPa
1500	2.2kPa	2.2kPa	1.5kPa	1.5kPa	1.5kPa	1.0kPa	1.0kPa



lxx 116.27 x 10³ mm⁴



lxx 212.67 x 10³ mm⁴

Test Results

112 LIFESTYLE sliding window - OX - single glazed

Serviceability load	+/- 0.7 kPa
Ultimate load	+/- 1.0 kPa
Water penetration	200 Pa
Air infiltration	
@75Pa	+ 0.71 l/s/m ² - 0.35 l/s/m ²
@150Pa	+ 1.031 l/s/m ² - 0.49 l/s/m ²
Operating force (initiating)	36 N
Operating force (maintaining)	62 N
Test sample size	1.2m high x 1.8m wide
Test report number	20006S2

112 LIFESTYLE sliding window - OX/XX - single glazed - transom

Serviceability load	NA
Ultimate load	NA
Water penetration	200 Pa
Air infiltration @75Pa	NA
Operating force (initiating)	NA
Operating force (maintaining)	NA
Test sample size	2.1m high x 1.8m wide
Test report number	20006S3